



# Hatton



20  
25

Collection  
Brochure



# CONTENTS

Introducing Hatton	4
Polypropylene Colours	5
Hatton Chair	8
Hatton Stool	13
Specifications	25
Additional Information	27



Made in the UK



# Introducing Hatton

Experience the epitome of refined simplicity with the Hatton collection. Designed to seamlessly integrate into any environment, these versatile seating options offer endless possibilities. With their lightweight construction, stackable design and effortless mobility, the Hatton collection allows for hassle-free reconfiguration of spaces.

Meticulously crafted, Hatton features an unmistakable silhouette that combines both comfort and durability. Each seating option is constructed from a one piece injection moulded glass filled polypropylene, ensuring longevity and resilience. Whether used indoors or outdoors, the seating range requires minimal maintenance and is easy to clean, making it the perfect seating choice for a variety of settings, including cafés, libraries, sports venues, informal meetings, breakout areas and much more.

Discover the perfect harmony of form and function with the Hatton collection, and elevate your space with a touch of sophistication.

Available in 7 colours.

# Polypropylene Colours

Iron Grey  
Pantone 10C

Ash Grey  
Pantone 15-0000 TPX

Purple Haze  
Pantone 518C

Custom colours available  
upon request, subject to  
suitability and minimum  
order quantities. POA.

Flannel  
Pantone BLACK 7C

Powder Blue  
Pantone 645C

Moss Green  
Pantone 16-0220 TPX

Rose Blossom  
Pantone 1692C

5

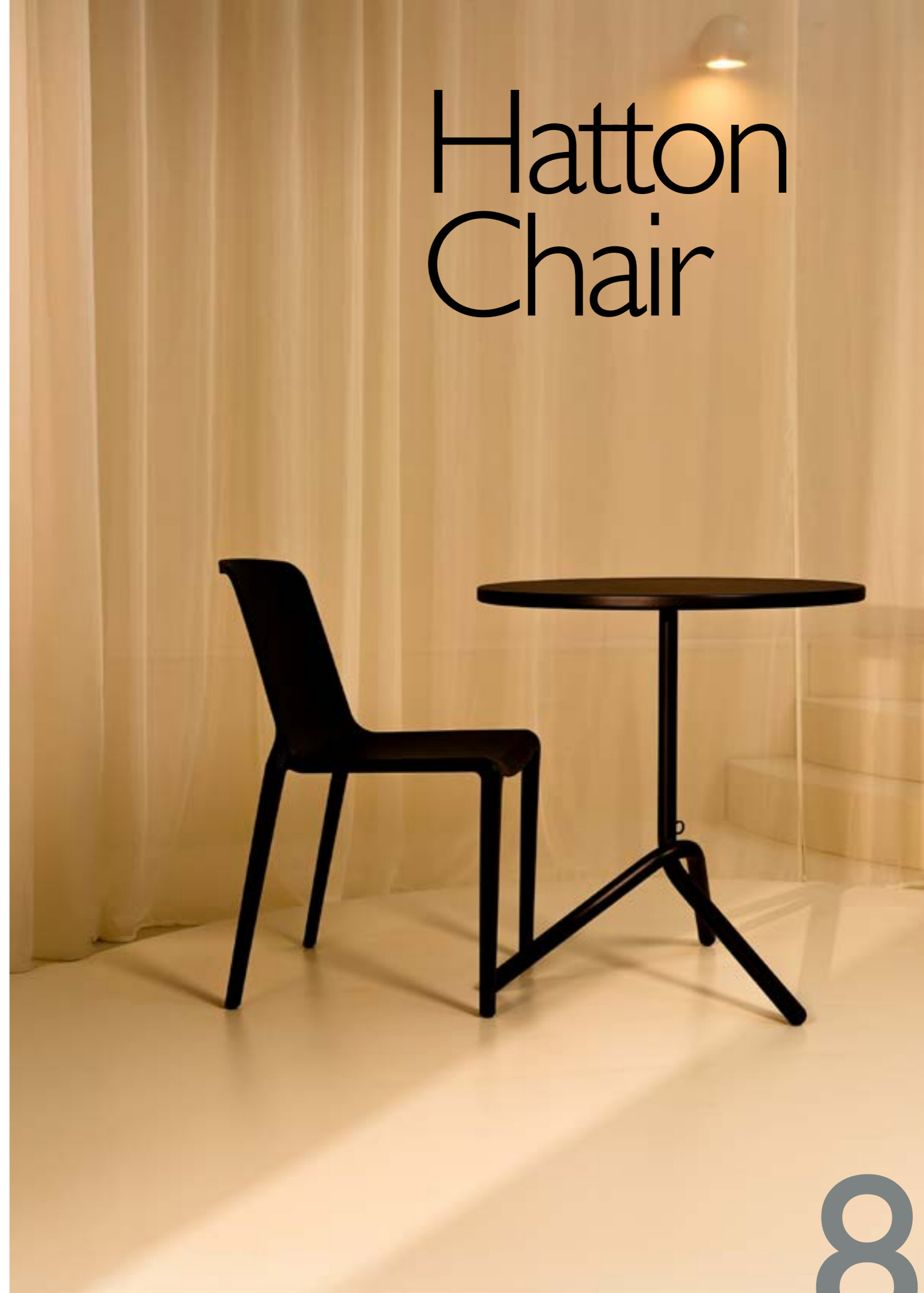
6

Constructed from a single piece injection moulded glass filled polypropylene.

Features an integrated grab handle for easy manoeuvrability



# Hatton Chair





Textured surface ensures a secure grip and prevents slippage when seated

Includes TPE (Thermoplastic Polyester Elastomer) rubber glides as standard, providing floor protection for all types of surfaces



Stack up to 18 on dolly



Stack up to 8 on the floor





# Hatton Stool



Available in 7 colours.

Textured surface ensures a secure grip  
and prevents slippage when seated.



Wide foot rail for support and accessibility

Designed with waterfall seat edge for enhanced comfort



Non marking glides

Stack up to 5 on the floor



Available in high and mid back ranges



Constructed from a single piece injection moulded glass filled polypropylene.





Additional Products Featured

Bejot  
gummy\_bear chair  
gummy\_bear table



23

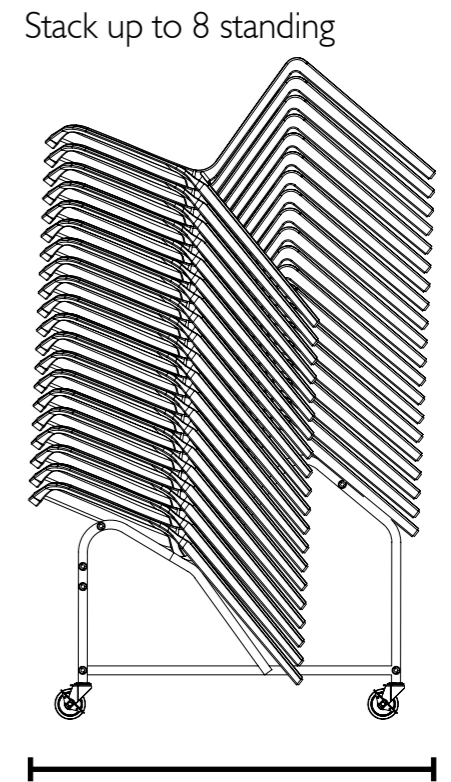
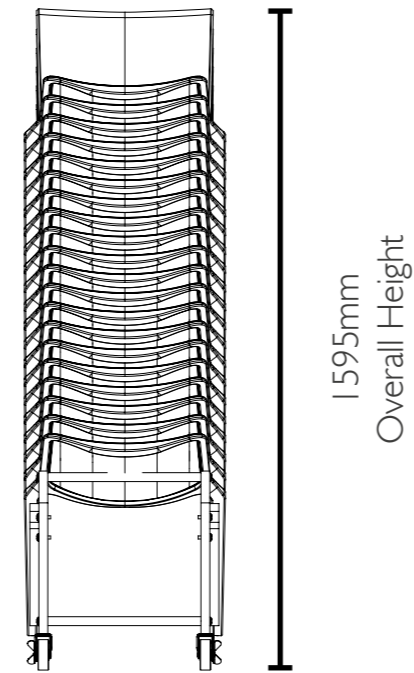
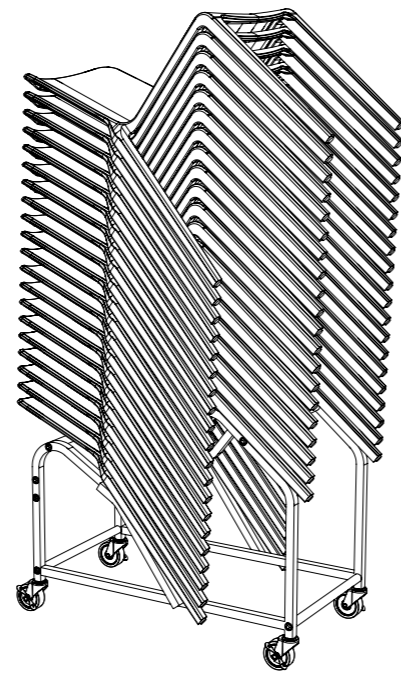
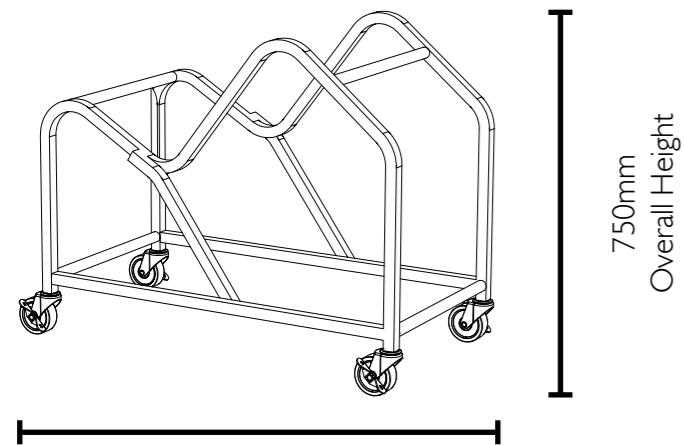
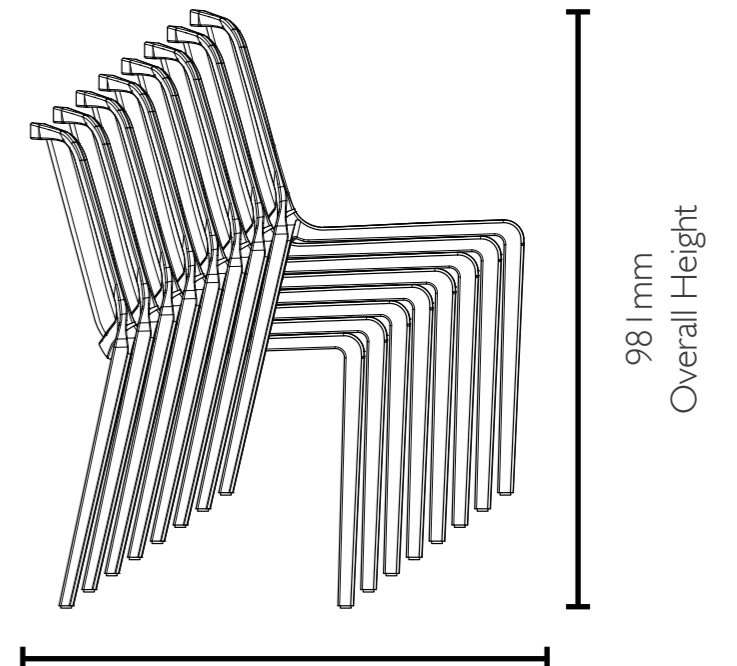
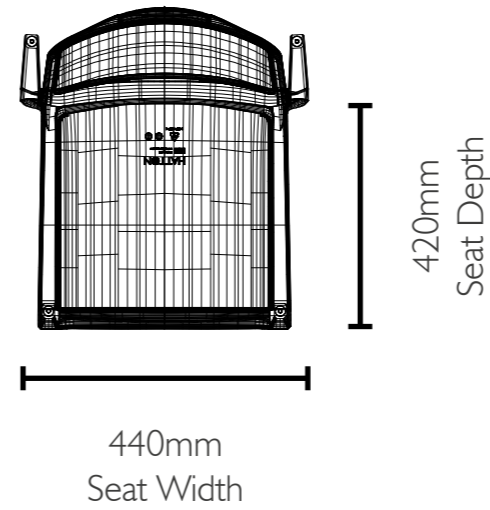
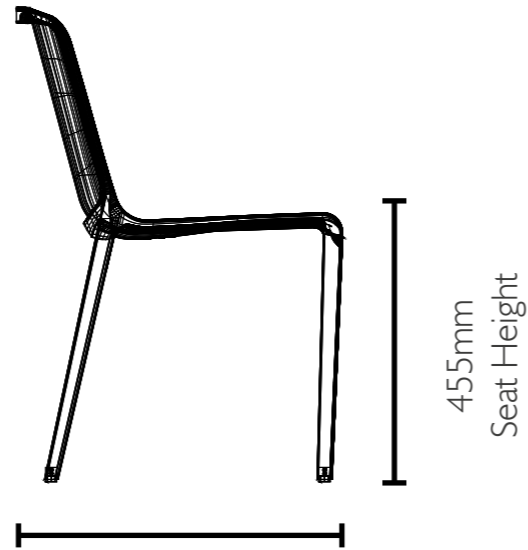
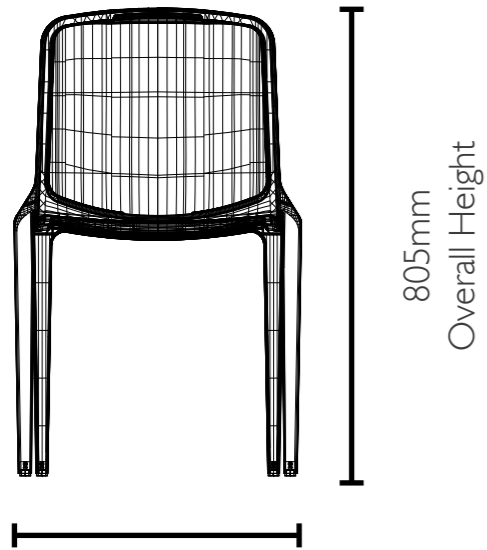
Bejot  
tables:out - 750mm  
tables:out - 1130mm



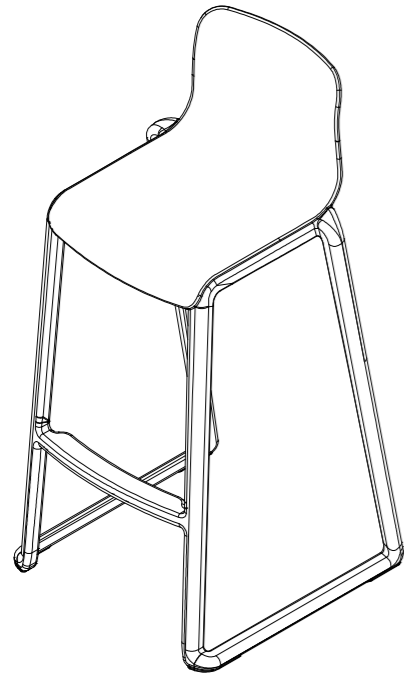
24

# Specifications

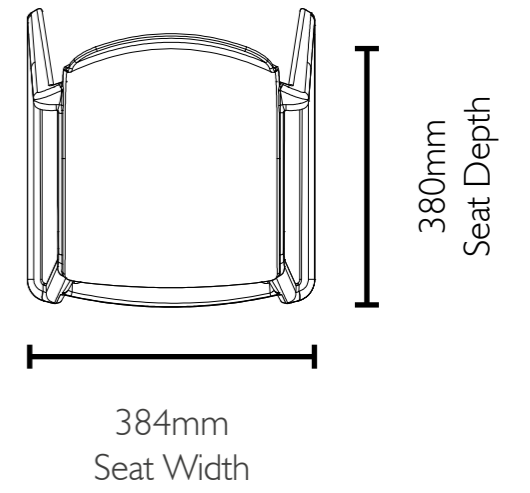
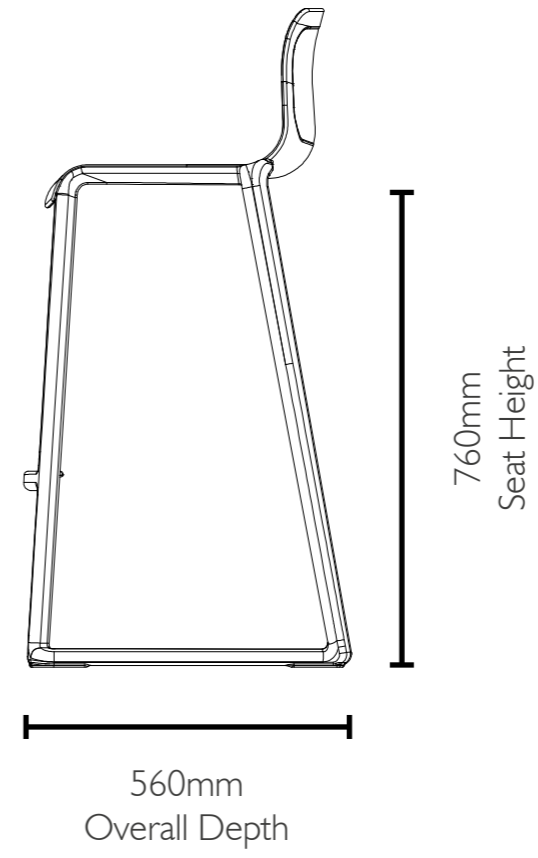
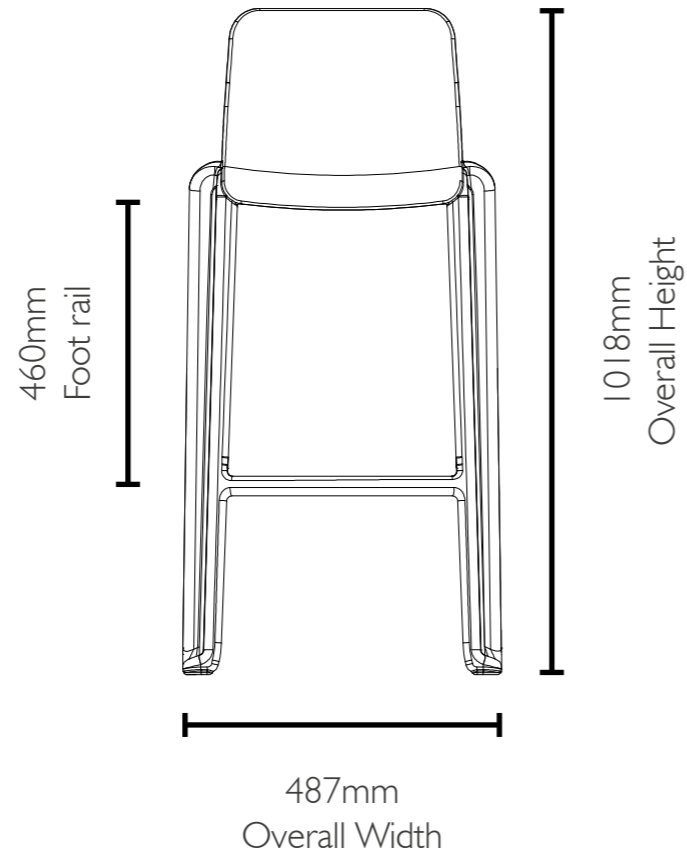
Chair



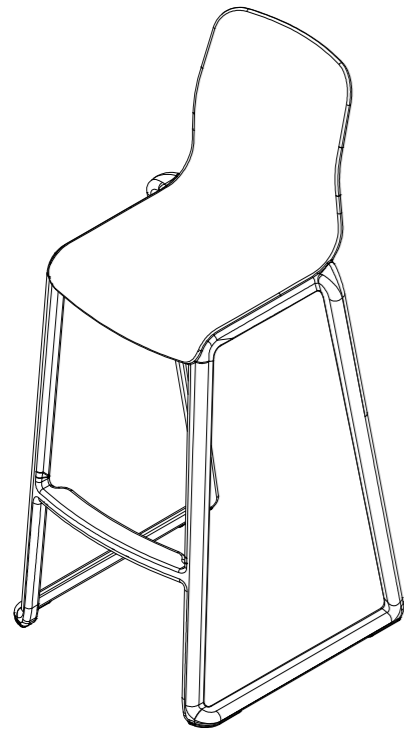
Midi back stool



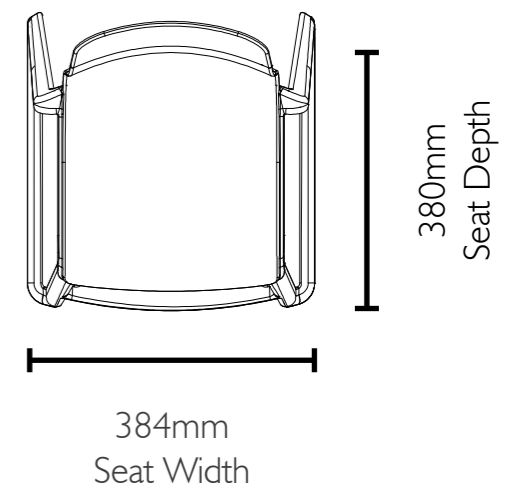
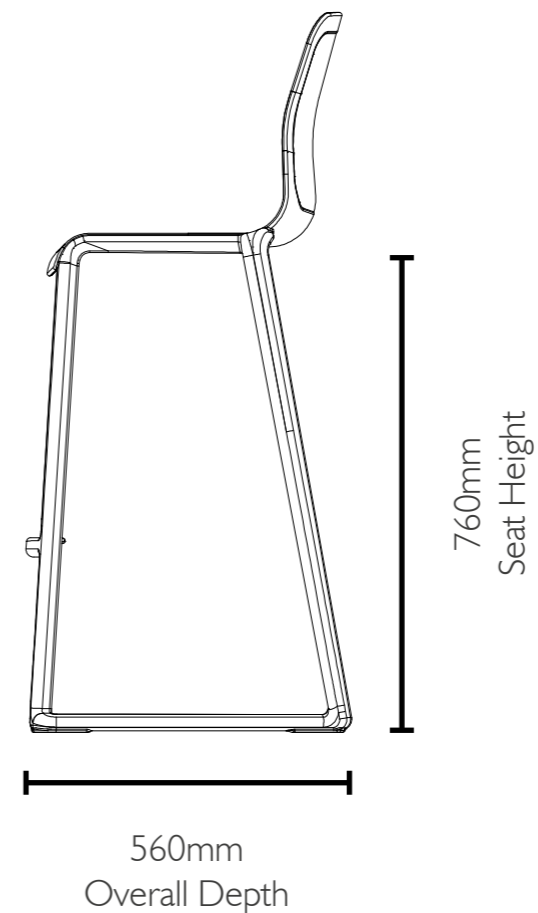
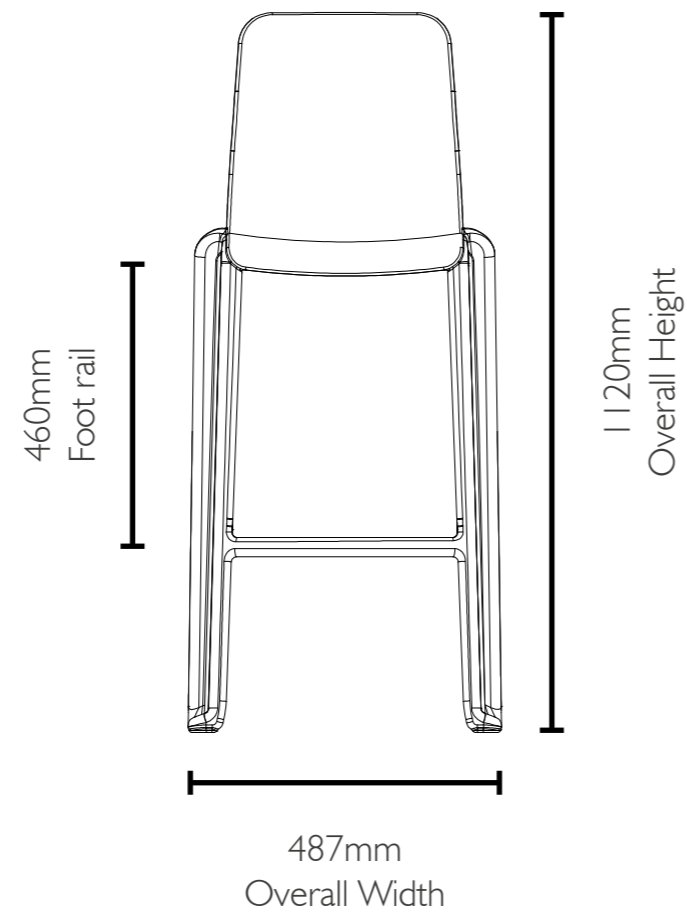
Stool Weight 6.63kg



High back stool



Stool Weight 6.93kg





# Additional Information

## KI (UK) Ltd Rights & Warranties

Chairs: 5 year warranty.

Stools: 10 year warranty

Refer to our website for full details.

## Environmental Information

100% Recyclable

## Certification

- **Indoor Advantage Gold™ - Furniture**  
Chairs and stools have been independently assessed by SCS Global Services to be certified for low volatile organic compound (VOC) emissions. The Indoor Advantage Gold standard aligns with both ANSI/BIFMA M7.1 and X7.1, and CA01350.
- **BS EN 581:**  
Contract use for chairs and stools.
- **BS EN 16139:**  
Strength & stability. Hatton chairs and stools are certified to this standard.
- **BS EN 1729 Part 2:**  
Strength & stability. Hatton chairs are certified to this standard.

Suitable for projects aiming to achieve SKA, BREEAM, WELL, LEED v4 and more.

## Design Resources

Find the latest images, Revit/[CAD blocks](#), finishes, case studies and more can be found on the KI website.

## Care & Maintenance Instructions

- To clean poly shells, use a soft cloth, mild soap detergent and lukewarm water. Avoid solvents, citrus/orange-based cleaners or heavy-duty kitchen cleaners.
- Stubborn spots like chewing gum can be removed with cigarette lighter fluid. Wipe dry immediately.
- For light cleaning and restoring lustre to smooth surfaces, use a non-abrasive all-purpose cleaner with anti-static properties.
- High-quality wax can be used to restore radiance and protect the finish.

## Packaging & Shipping

Wooden pallets – reusable and recyclable.

Shrink wrap made from 30% recycled material – 100% recyclable.

Banding – recyclable.

Product	Units Per Box	Units Per Pallet	Pallet Weight	Pallet Dimensions* (mm, L x W x H)
Hatton chair	2	40	206kg	1000 x 1200 x 1660
Hatton midi back stool	1	16	127kg	1200 x 1000 x 1540
Hatton high back stool	1	16	129kg	1200 x 1000 x 1600

## Weights

Product	Product Weight	Max User Weight
Hatton chair	4.57kg	204kg
Hatton midi back stool	5.7kg	204kg
Hatton high back stool	6kg	204kg

\* All weights and dimensions are approximate.



**KI (UK) Ltd**  
91 Goswell Road,  
London,  
United Kingdom,  
EC1V 7EX

[kieurope.com](http://kieurope.com)  
020 7404 7441  
[info@kieurope.com](mailto:info@kieurope.com)

KI and Furnishing Knowledge  
are registered trademarks of  
KI Inc