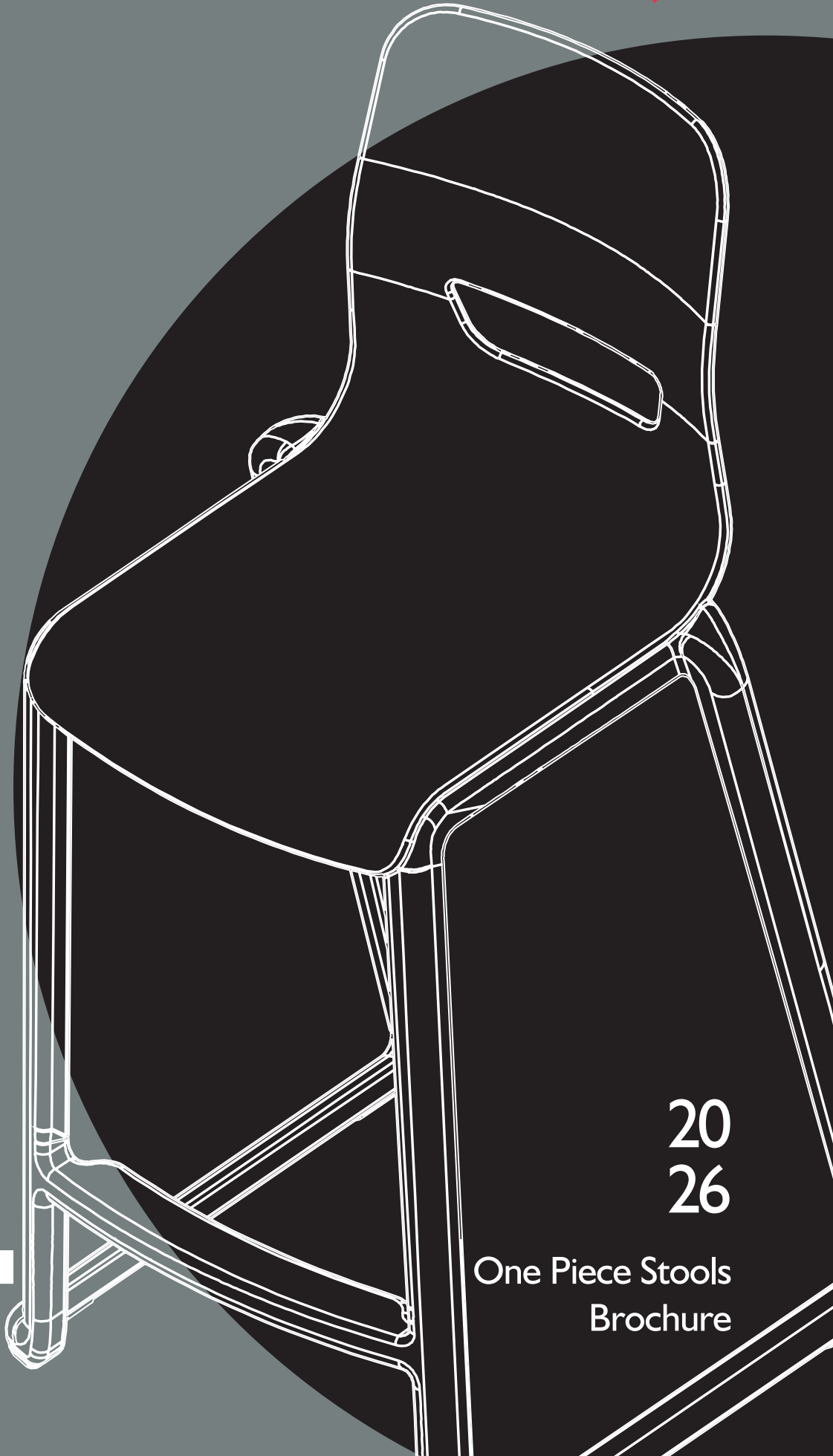




postura +



20
26

One Piece Stools
Brochure



CONTENTS

The Most Trusted Name	1
The All-round Performer	3
Leading The Way	5
One Piece Stools	7
Colour Collection	15
Key Features	21
Specifications	23
Environmental Overview	27
Additional Information	29



The Most Trusted Name In Edu- cation

Postura+ is durable, low maintenance, and comfortable and designed for education environments. Created in Australia in the 1990s, it quickly gained popularity in the UK and has since been locally manufactured to meet growing demand and European standards.

The Postura+ collection helps create high performing learning spaces that support students' full potential with its versatile and specialist seating products. Its ergonomic design enhances concentration and comfort, making it excellent value for money by reducing procurement, repair and installation costs. Postura+ is backed by several certifications and a 20 year warranty and is used by millions of students worldwide.





The All-round Performer

Furniture is crucial in creating optimal learning spaces. Classrooms that once catered to one teaching style are now evolving into problem-solving and collaborative environments. The learning space must be flexible to adapt to the needs of teachers and students.

Postura+ is the ideal solution for any budget and space, providing comfort, durability and practicality. Its ergonomic design enhances concentration and wellbeing, while its high-quality materials make it durable and easy to move. Plus, it's 100% recyclable and suitable for occasional outdoor use.

A hand is shown from the top center, pouring a stream of small, white, spherical granules. The granules fall in a wide, conical shape, creating a dense field of white dots against the dark background. The background also features a blurred image of a chair's backrest and legs on the right side.

Leading- ing The Way To A Sus- tainable Future

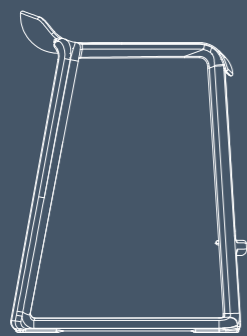
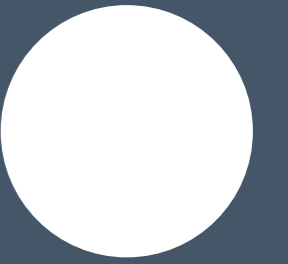
“Our customers across the UK and Europe want to reduce their environmental impact without compromising quality or incurring unrealistic costs. Postura+ is a fantastic step in the right direction and we’re confident our customers will be enthusiastic about this great achievement.”

Alison Mallett,
Director of Education Furniture

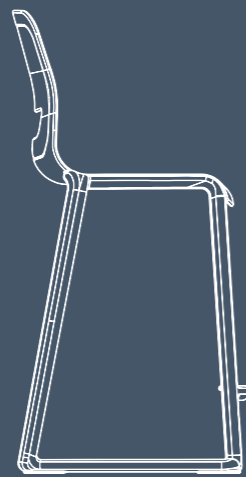




Polypropylene Shell



Low Back
Stool



High Back
Stool

One Piece Stools



The Postura+ range has expanded to include One Piece Stools. With the same ergonomics and durability as our chairs, these low and high back stools are built for practical learning environments where comfort and safety is priority.

- Made from glass filled polypropylene and a minimum of 30% recycled polypropylene
- One piece injection-moulded meaning no loose parts
- Slim, sled base design
- Non-marking built in glides, suitable for non-slip floors
- Anti-static, stain resistant and easy to clean
- Wide foot rail for comfort and accessibility
- Stackable up to 6 high
- 20 colour options
- 20-year warranty
- Available in 3 heights

High Back One Piece Stool



Featuring a curved backrest for better lumbar support and superior flexibility to maximise comfort, built-in window providing better ventilation and large footrest for long seated periods.

Certifications:

- BS EN 1729 certified
- 3 heights available

Low Back One Piece Stool



A backless stool option with a large footrest for long seated periods.

Certifications:

- BS EN 1729 certified
- 3 heights available



Colour Collection

Customisation is available, subject to minimum order quantities and additional surcharges.

To ensure accurate colour matching, we require Pantone or RAL references. Custom polypropylene colours require a minimum order quantity of 300 units per size and colour.

Colour Range →



Pantone 15-0000 TPX

Ash Grey

Pantone Black C

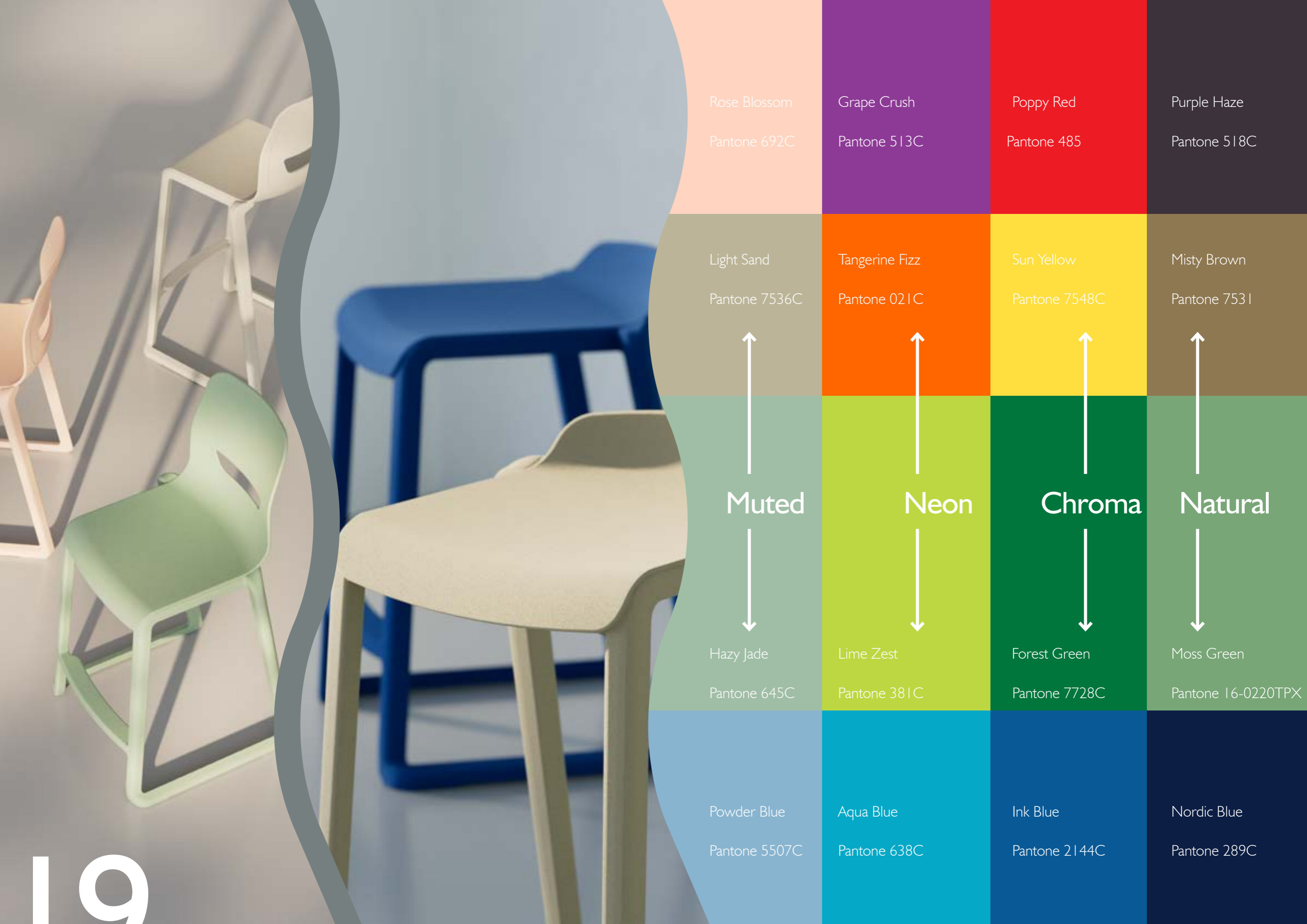
Black

Pantone 4139C

Slate Grey

Pantone 10C

Iron Grey



Rose Blossom
Pantone 692C

Grape Crush
Pantone 513C

Poppy Red
Pantone 485

Purple Haze
Pantone 518C

Light Sand
Pantone 7536C

Tangerine Fizz
Pantone 021C

Sun Yellow
Pantone 7548C

Misty Brown
Pantone 7531

↑
Muted
↓

↑
Neon
↓

↑
Chroma
↓

↑
Natural
↓

Hazy Jade
Pantone 645C

Lime Zest
Pantone 381C

Forest Green
Pantone 7728C

Moss Green
Pantone 16-0220TPX

Powder Blue
Pantone 5507C

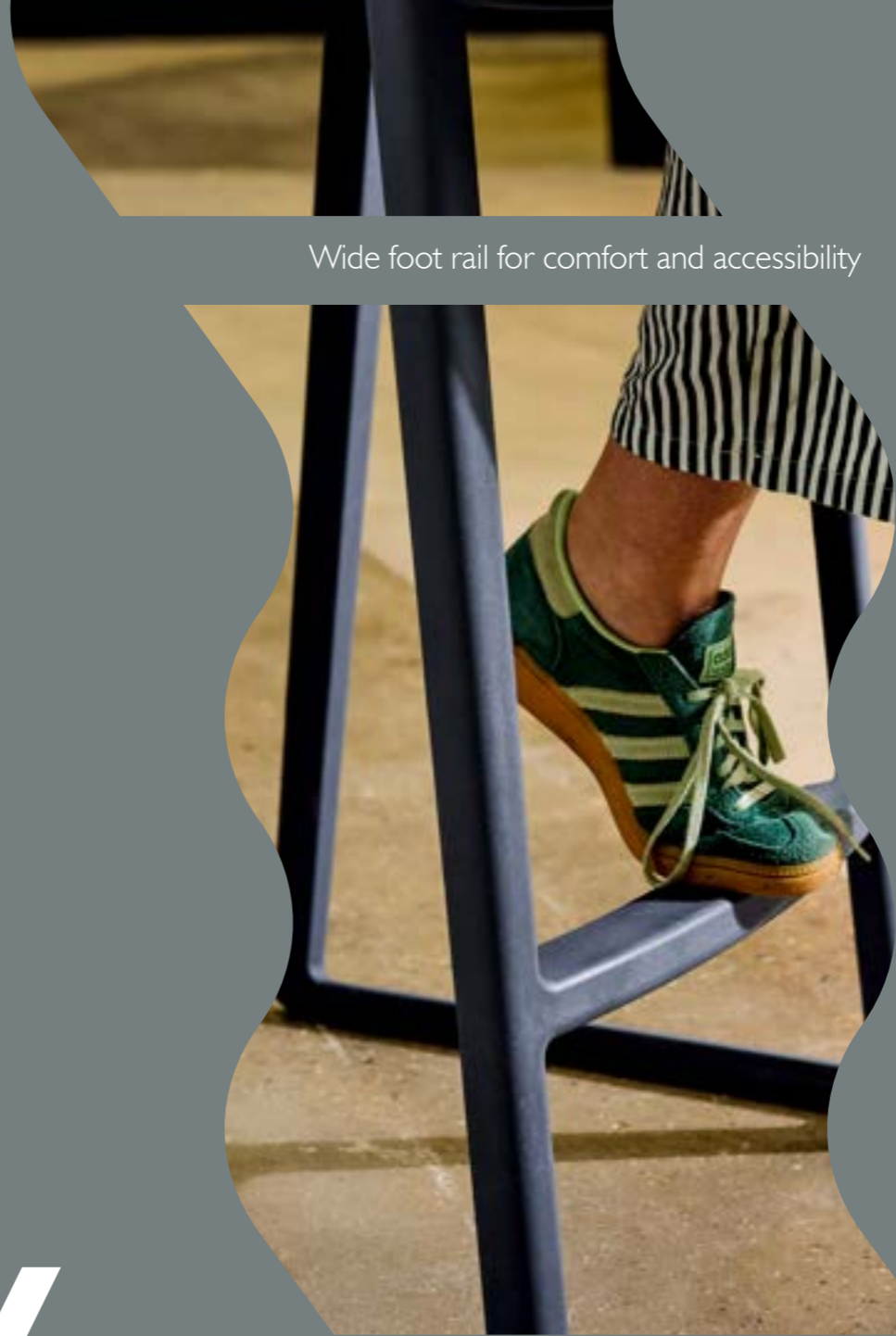
Aqua Blue
Pantone 638C

Ink Blue
Pantone 2144C

Nordic Blue
Pantone 289C



Stackable up to 6 high



Wide foot rail for comfort and accessibility



Extra-large lower back ventilation

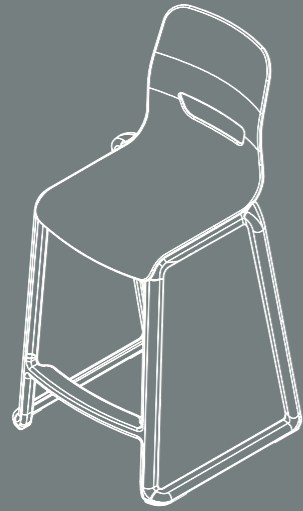


Non marking glides

Key Features

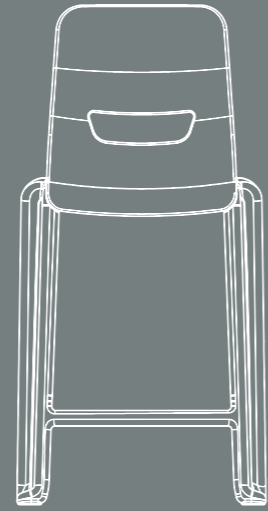
Shell ●

postura +



Foot Rail Height

380mm or 430mm or 460mm



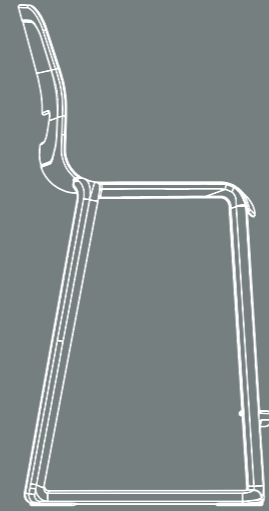
Overall Height

920mm or 970mm or 1045mm



Overall Width

482mm or 483mm or 485mm



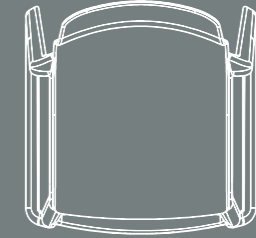
Seat Height

560mm or 610mm or 685mm



Overall Depth

370mm



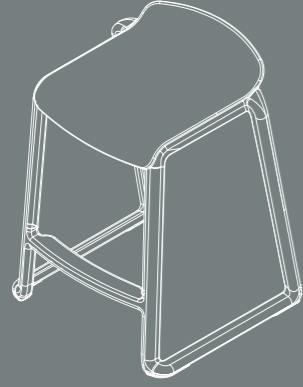
Seat Width

384mm



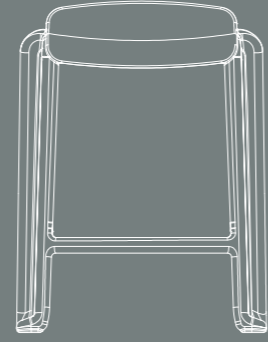
Seat Depth

458mm



Foot Rail Height

380mm or 430mm or 460mm



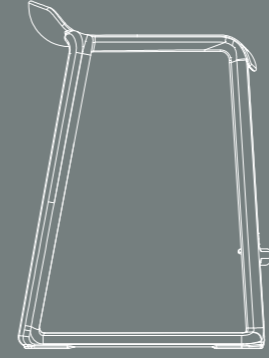
Overall Height

639mm or 689mm or 764mm



Overall Width

482mm or 483mm or 485mm



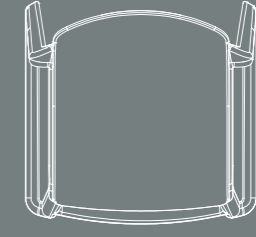
Seat Height

560mm or 610mm or 685mm



Overall Depth

370mm



Seat Width

384mm



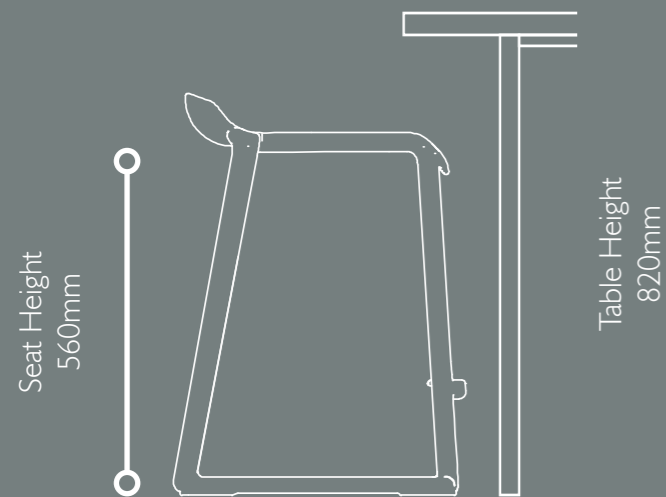
Seat Depth

419mm

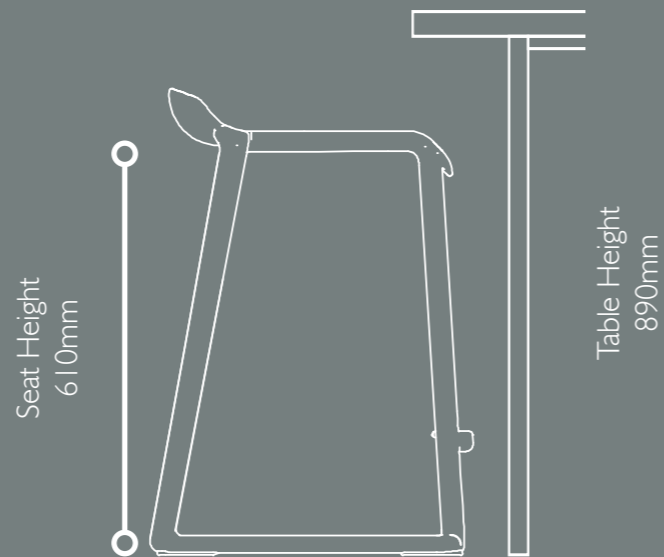
EN4

EN5

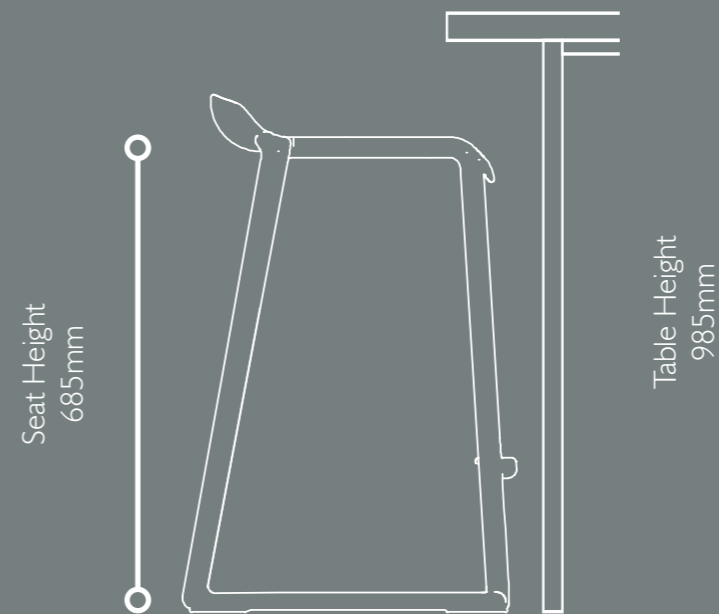
EN6



Foot Rail Height
380mm
Popliteal Height Range
355-405mm
Stature Range
1330-1590mm
Age Range
8-11



Foot Rail Height
430mm
Popliteal Height Range
405-435mm
Stature Range
1460-1765mm
Age Range
11-14



Foot Rail Height
460mm
Popliteal Height Range
435-485mm
Stature Range
1590-1880mm
Age Range
14-Adults





Environmental Overview

Materials Information

- All one piece stools are made from glass filled polypropylene, with a minimum 30% recycled polypropylene
- Fully recyclable

Additional Information



KI (UK) Ltd Rights & Warranties

Polypropylene shells: 20-year warranty.

For detailed information, please visit our website: <https://www.kieurope.com/customer-service/legal-privacy/warranties>

Certifications & Standards

- **Indoor Advantage Gold™ – Furniture:** All Postura+ products have been independently assessed by SCS Global Services and certifies for low volatile organic compound (VOC) emissions. This certification aligns with ANSI/BIRMA m7.1, X7.1 and CA01350. It contributes to LEED low emitting materials credits and WELL Credit 04 for VOC reduction.
- **SCS Recycled Material Certification:** Postura+ One Piece Stools are manufactured using a polypropylene and glass-fibre blend that contains 30% post-consumer recycled material. This has been verified through SCS Recycled Material Certification, a third-party certification that verifies the percentage of recycled material within a product by weight.
- **BS EN 1729-1:** Sizing & dimensions – Chairs and tables for educational institutions. Postura+ one piece stools are certified to this standard. (560mm one piece high back stool excluded)

- **BS EN 1729-2:** Strength & stability – Chairs and tables for educational institutions. All Postura+ products are certified to this standard.

Design Resources

For image libraries, certificates, CAD/Revit models and more resources, please visit <http://www.kieurope.com/postura>

Care & Maintenance Instructions

Maintaining the appearance and finish of your product is best achieved through proper care and cautious use.

Polypropylene shells:

For regular cleaning of Shells use a soft cloth with mild soap or detergent and lukewarm water. Avoid solvents, citrus/orange-based cleaners or heavy-duty kitchen cleaners. Stubborn spots like chewing gum can be removed using cigarette lighter fluid. Wipe dry immediately. To restore lustre to smooth surfaces and perform light cleaning, a general non-abrasive all-purpose cleaner is recommended. Its anti-static properties help repel dust and dirt. High-quality wax can be used to restore radiance and provide protective coating.

Packaging & Shipping

Wooden pallets: reusable and recyclable.

Shrink wrap: recyclable & made from 30% recycled material - 100% recyclable.

Banding: recyclable.

Product	Units per box	Units per pallet	Pallet weight*	Pallet dimensions* (mm, L x W x H)
One Piece Stool Low Back – 560mm	2	16	101kg	1000 x 1200 x 1060
One Piece Stool Low Back – 610mm	1	16	104kg	1000 x 1200 x 1110
One Piece Stool Low Back – 685mm	1	16	126kg	1000 x 1200 x 1190
One Piece Stool High Back – 560mm	1	16	113kg	1000 x 1200 x 1340
One Piece Stool High Back – 610mm	1	16	116kg	1000 x 1200 x 1390
One Piece Stool High Back – 685mm	1	16	137kg	1000 x 1200 x 1465

* All Weights and dimensions are approximate.

Weights

Product	Product Weight	Max User Weight
One Piece Stool Low Back – 560mm	5.2kg	204kg
One Piece Stool Low Back – 610mm	5.43kg	204kg
One Piece Stool Low Back – 685mm	6.76kg	204kg
One Piece Stool High Back – 560mm	5.95kg	204kg
One Piece Stool High Back – 610mm	6.17kg	204kg
One Piece Stool High Back – 685mm	7.5kg	204kg





KI (UK) Ltd
91 Goswell Road,
London,
United Kingdom,
EC1V 7EX

kieurope.com
020 7404 7441
info@kieurope.com

KI and Furnishing Knowledge
are registered trademarks of
KI Inc