

KI

Grafton



20
26

Brochure

CONTENTS

Grafton Seating	5
Grafton Collection	9
• Stacking Chair	
• Stacking Stool	
• Task Chair	
• Task Stool	
Grafton HD Collection	18
• HD Stacking Chair	
• HD Stacking Stool	
• HD Stacking Table	
Customisation Options	28
• Upholstery Options	
• Tablet Arm Options	
• Polypropylene & Frame Colours	
• Table Finishes	
Specification	40
Additional Information	54



Made in the UK



Grafton Seating: Elegant, Durable & Versatile



**30% Recycled
Polypropylene,
100% Recyclable**

Made in the UK, all our Grafton chairs contain at least 30% recycled post-consumer material.

The Grafton seating collection has been designed to provide exceptional comfort, ventilation and flexibility.

The unique design features a robust, perforated backrest and rolled, waterfall edges to create a seating range that supports agile learning and working across different environments.



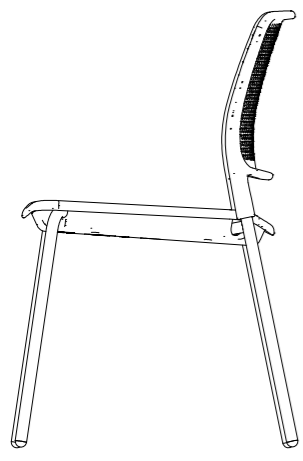
Perforated Backrest

The generous perforations of Grafton's distinctive injection-moulded backrest provide better ventilation and flexibility. This unique feature was created to offer the comfort of a mesh backed chair without compromising on durability.

Rolled Edges

The rolled edges of the backrest are mirrored on the seat shell to create a waterfall edge for enhanced comfort.

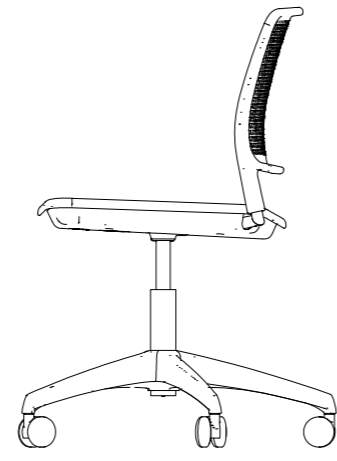
Grafton Collection



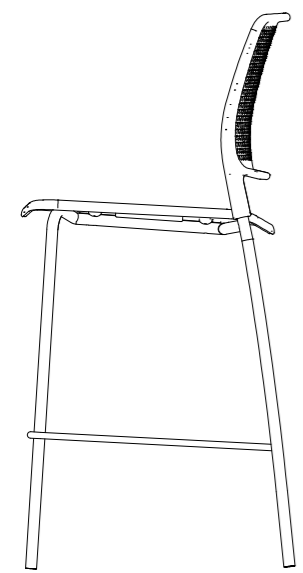
Stacking Chair



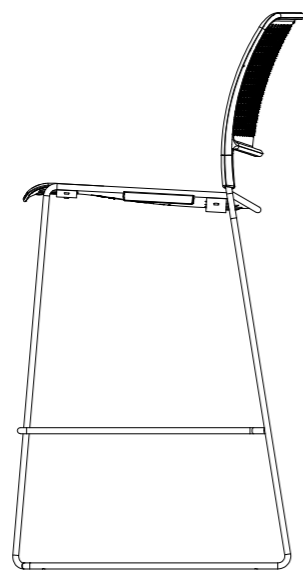
HD Chair



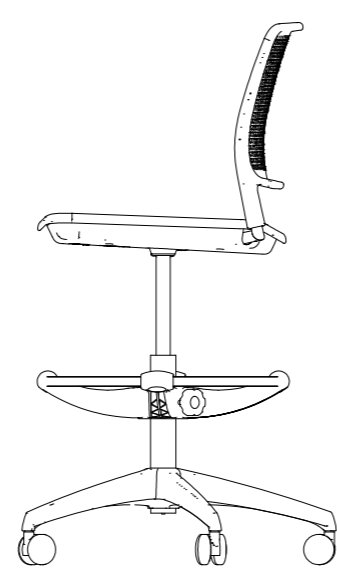
Task Chair



Stacking Stool



HD Stool



Task Stool



Stacking Chair

Our 4 Leg and Sled Base chairs can be conveniently stacked up to 8 high (6 if upholstered), 12 on a dolly allowing for easy storage and space optimisation.



Stacking Stool



Maximise space with our stackable, poseur height stools, stacking up to 4 high, and including upholstered options.

Featuring a footrest for added comfort and practicality.

Task Chair



14



The Grafton Task Chair comes with glides or castors for maximum comfort and productivity.

15

Task Stool



The style and durability of the Grafton range at height, the Task Stool boasts a sleek chrome foot ring, as well as glides for elevated support.



Task Stool Foot Ring

NEW

Grafton HD Collection



Our Grafton High-Density Collection features a chair and stool designed for large, adaptable spaces. Featuring the same injection-moulded polypropylene seat with perforations designed to replicate mesh-back seating along with rolled, waterfall edges, this range comes in 6 polypropylene colours and 4 frame options with a variety of optional accessories:

- Armrests
- Tablet arms
- Upholstery
- Linkable glides

NEW



HD Stacking Stool

Perfect for high-traffic, dynamic environments and café areas, the HD Stool can stack up to 6 high and comes in two heights including a poseur height stool.

NEW



HD Stacking Chair

Designed for maximum space saving, this chair can be stacked up to 8 high or 32 on a dolly, making it the ultimate space-saver for large venues, conference rooms, and event spaces.



HD Dolly

Grafton HD Dolly dimensions -
W: 620mm D: 800mm H: 360mm

NEW



24

25

NEW



HD Stacking Table

Lightweight and easy to maneuver, they enable quick reconfiguration of spaces for training, exams, or temporary classrooms. Durable and space efficient, the tables stack 10 high on the floor or 20 high on a dolly, with full-length undersurface bumpers protecting the worksurfaces during storage. Each table supports up to 136 kg. Minimum order quantity of 10 tables.

Dimensions (WxDxH, mm):
Overall - 665 x 558 x 736
Worksurface - 603 x 482
Floor stack (10)
673 x 704 x 997
Dolly stack (20)
711 x 863 x 1536
Weight - 9kg (per unit)

15 year warranty



Customisation Options

The Grafton collection comes in 6 different finishes and 4 frame options. Optional upholstery, tablet arms, castors and arm rests are available to enhance comfort and functionality.

Armrests



28

HD Armrests



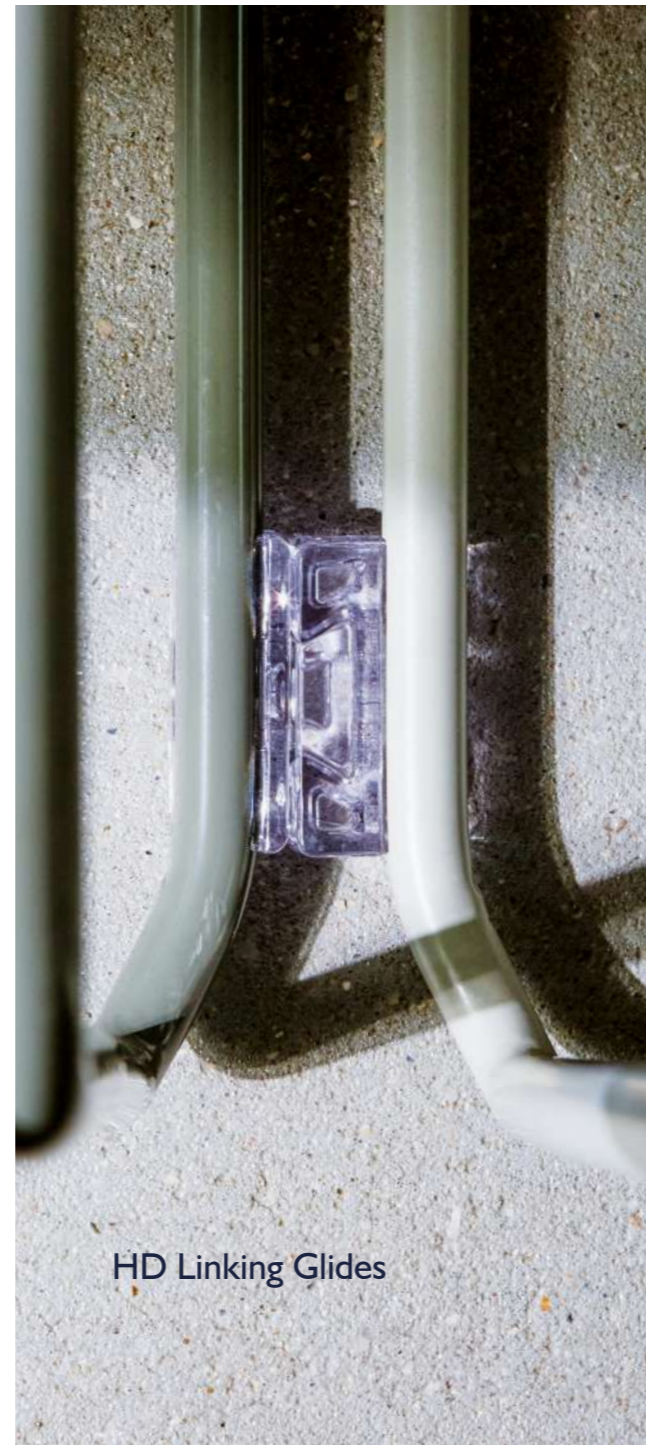
Castors



Glides



HD Linking Glides



29

Upholstery Options



Opt for a polypropylene or fully upholstered seat, based on your preference.

The Grafton collection features a black, 30% recycled polypropylene shroud to protect under structure for upholstered chairs except stools.

Find up to date upholstery options [here](#).



30

Tablet Arm Options



Ash Nebula



Stackable
Tablet Arm

HD Tablet Arm

Grafton Polypropylene & Frame Colours



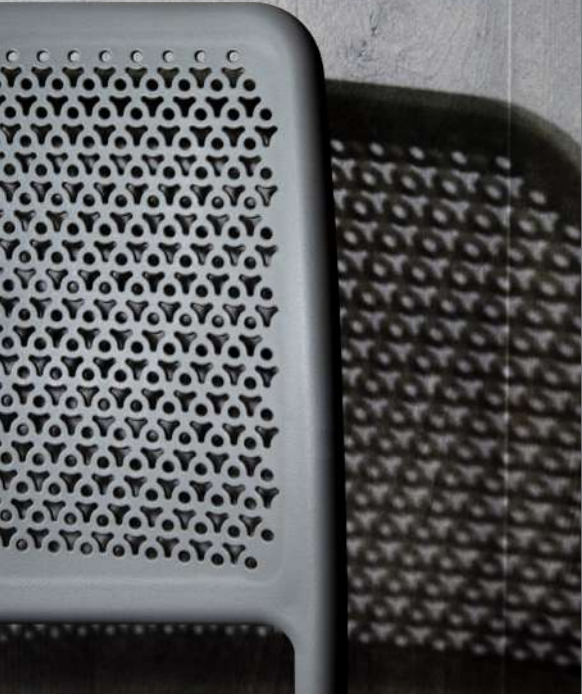
Black

Blue Grey

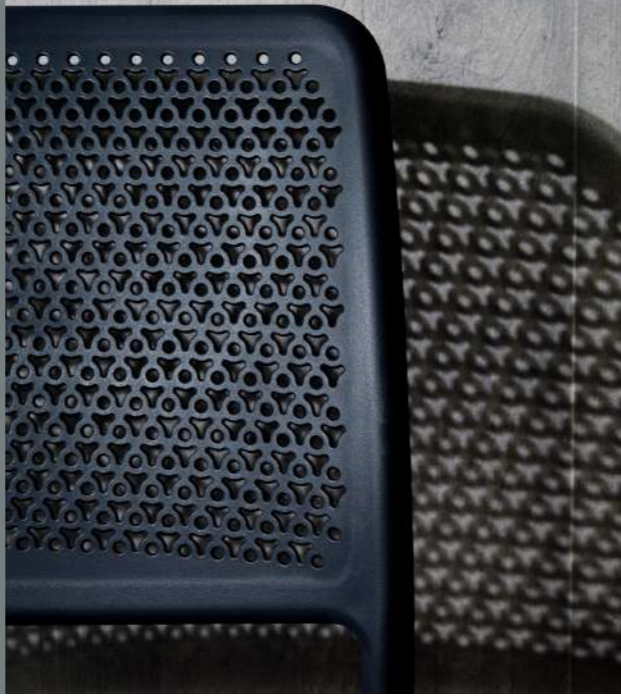
Cool Grey

*Chrome

*Only available in HD



Blue Grey
Pantone Cool Grey 9c



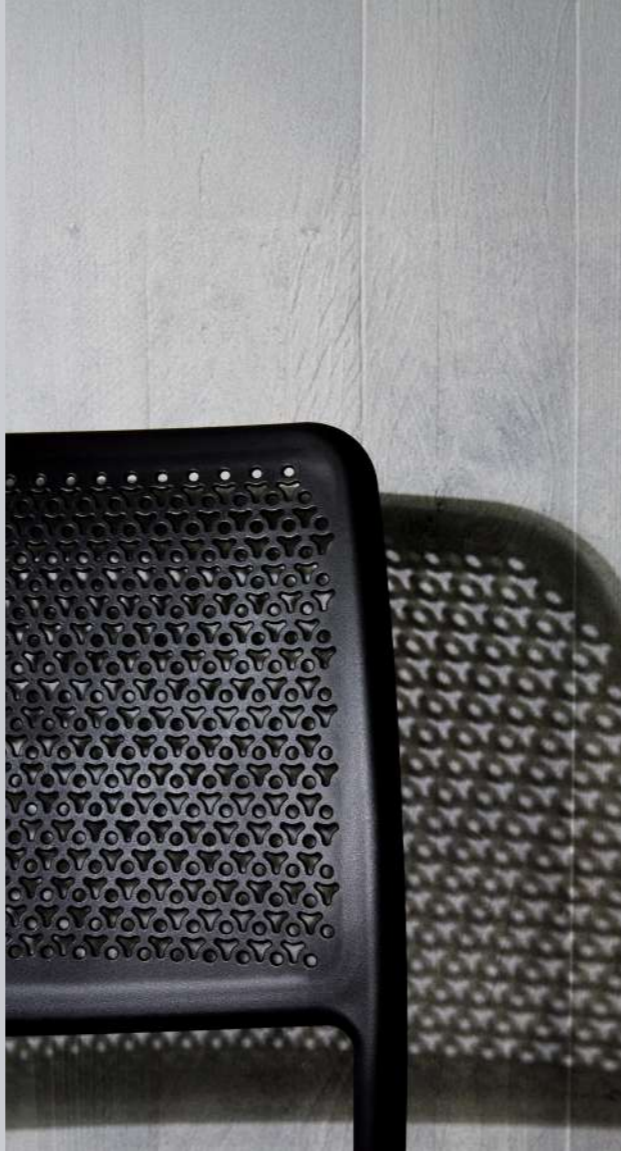
Nordic Blue
Pantone 4145c



Raw Jasper
Pantone 4625c



Cool Grey
Pantone 5315c



Black
Pantone 426c



Rainforest
Pantone 5395 C

Grafton Table Finishes

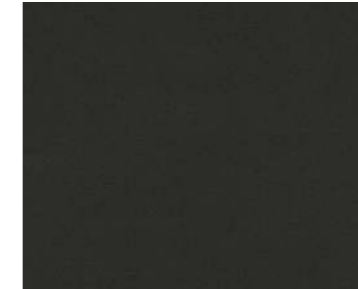


Visit our website or contact your KI Account Manager for the most up to date options and lead times.

Worksurfaces - Laminate Finishes



White Nebula



Graphite Nebula



Black

Frame Finishes



Chrome

Optional Glides

Glide Material	Carpet	Resilient Flooring			Hard Flooring		
		Vinyl Sheet	VCT	Rubber	Ceramic Tile	Concrete	Hardwood
A. Polycarbonate	**	*	*	*	**	*	NR
B. Steel	**	*	*	*	NR	NR	NR
C. Felt Glide	NR	*	*	NR	*	*	**
D. PVC	NR	**	**	*	**	*	**



A. Polycarbonate



B. Steel



C. Felt Glide



D. PVC

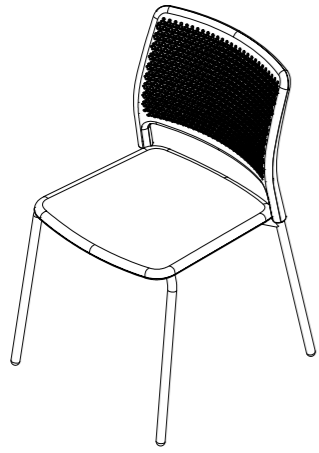
** = Best Performance

* = Acceptable Performance

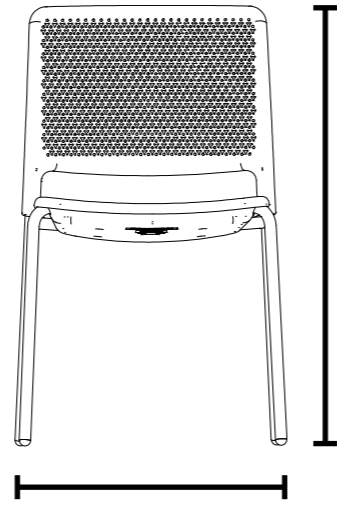
NR = Not Recommended

Steel glides are not recommended for light coloured floors

4 Leg

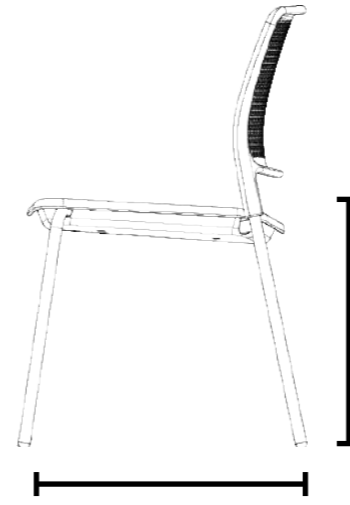


Weight / with seat pad
4.7kg / 5.4kg



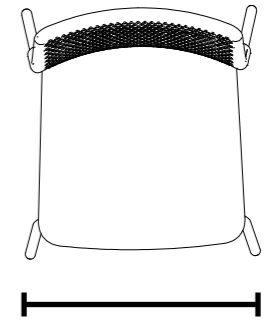
490mm
Overall Width

850mm
Overall Height



540mm
Overall Depth

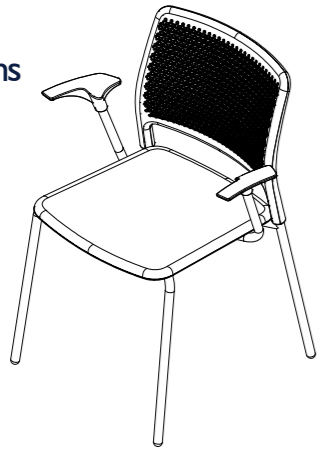
460mm
Seat Height



450mm
Seat Width

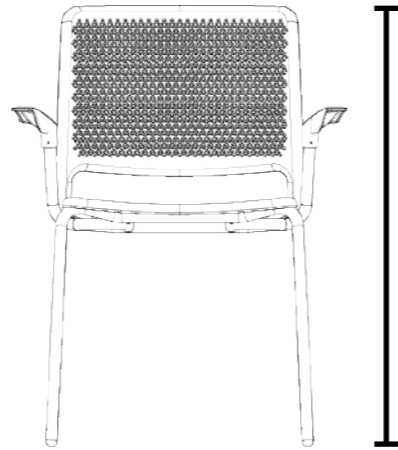
440mm
Seat Depth

4 Leg
With Arms



Weight / with seat pad
5.8kg / 6.5kg

670mm
Arm Height



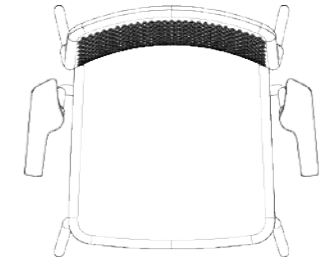
650mm
Overall Width

850mm
Overall Height



540mm
Overall Depth

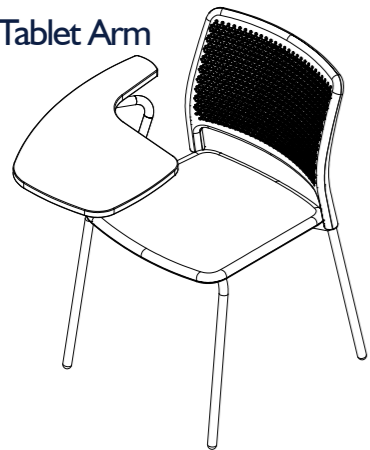
460mm
Seat Height



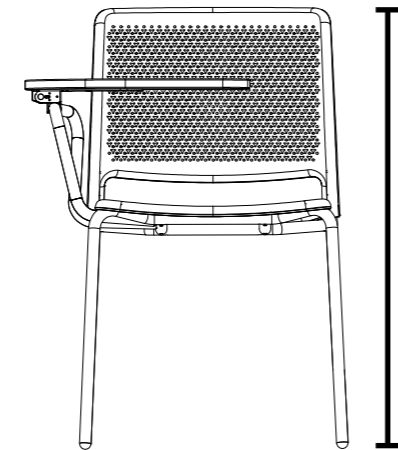
450mm
Seat Width

440mm
Seat Depth

4 Leg
With Tablet Arm

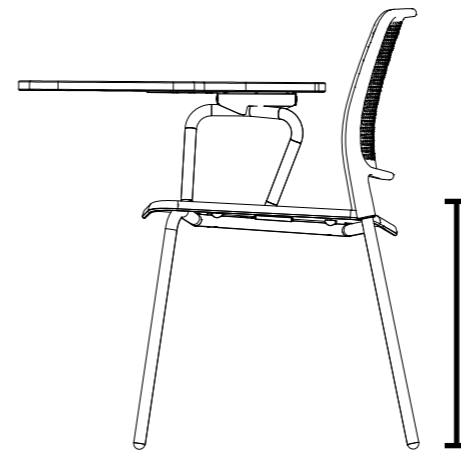


Weight / with seat pad
Standard Tablet: 6.3kg / 7kg
Oversized Tablet: 6.8kg / 7.5kg



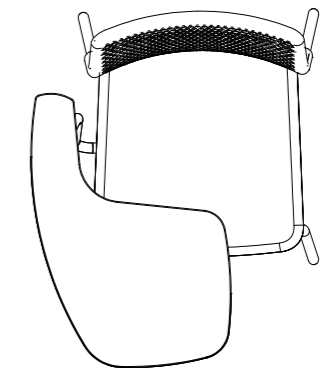
607mm
Overall Width

850mm
Overall Height



785mm
Overall Depth

460mm
Seat Height

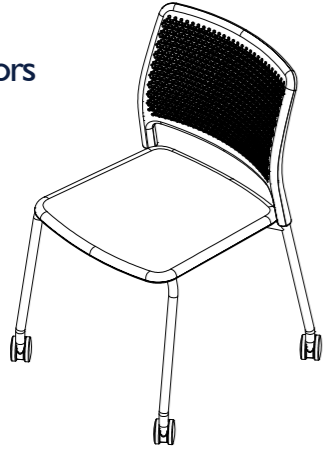


450mm Seat Width
433mm Oversized Tablet Width
382mm Standard Tablet Width

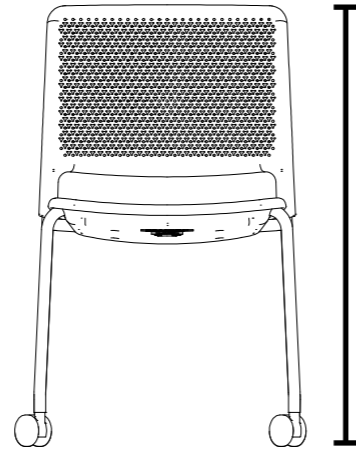
440mm Seat Depth
595mm Oversized Tablet Depth
517mm Standard Tablet Depth

Specification

4 Leg
On Castors

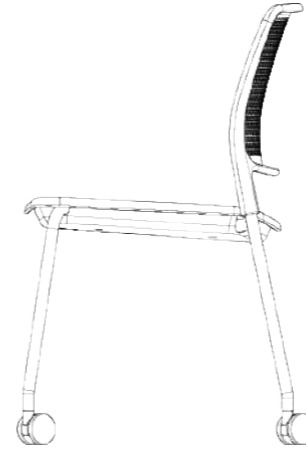


Weight / with seat pad
5.5kg / 6.2kg



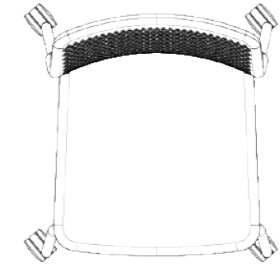
490mm
Overall Width

850mm
Overall Height



540mm
Overall Depth

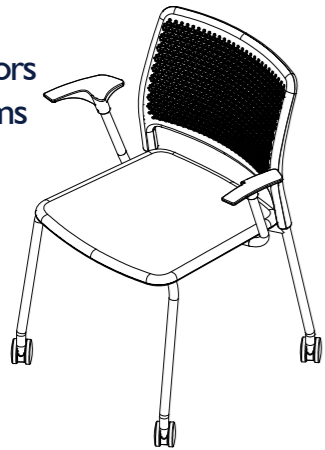
460mm
Seat Height



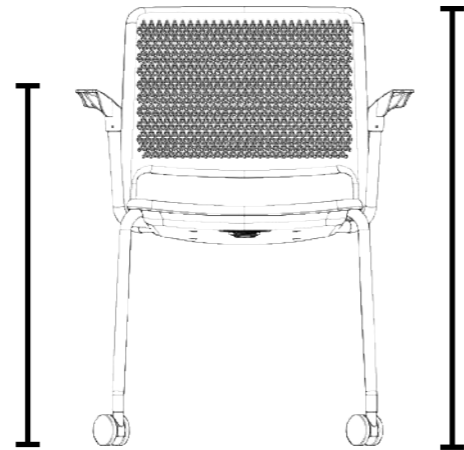
450mm
Seat Width

440mm
Seat Depth

4 Leg
On Castors
With Arms



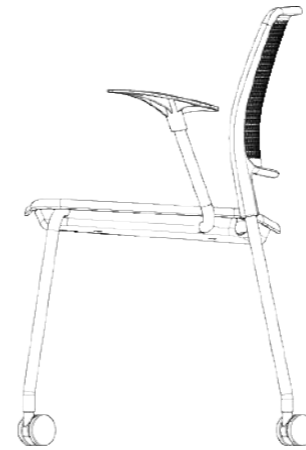
Weight / with seat pad
6.1kg / 6.8kg



670mm
Arm Height

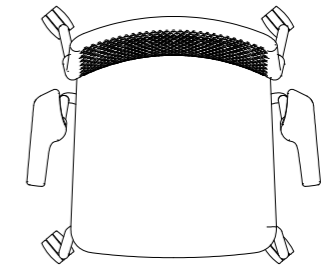
650mm
Overall Width

850mm
Overall Height



540mm
Overall Depth

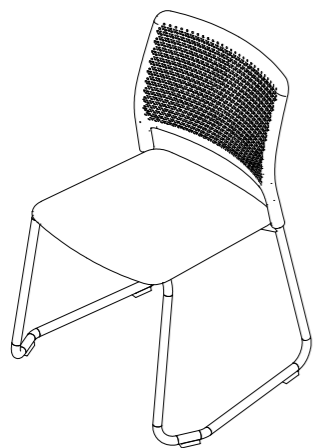
460mm
Seat Height



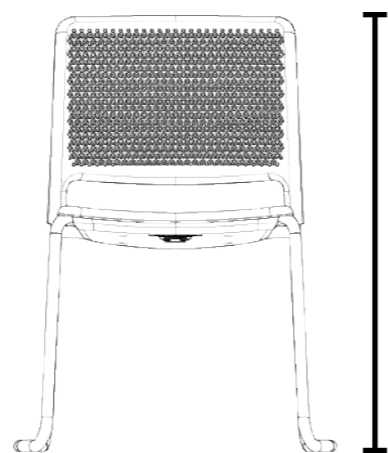
450mm
Seat Width

440mm
Seat Depth

Sled Base



Weight / with seat pad
5.7kg / 6.4kg



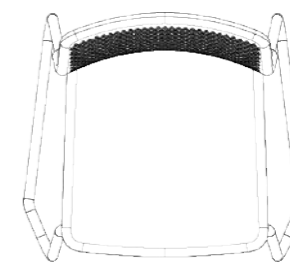
860mm
Overall Height

620mm
Overall Width



470mm
Seat Height

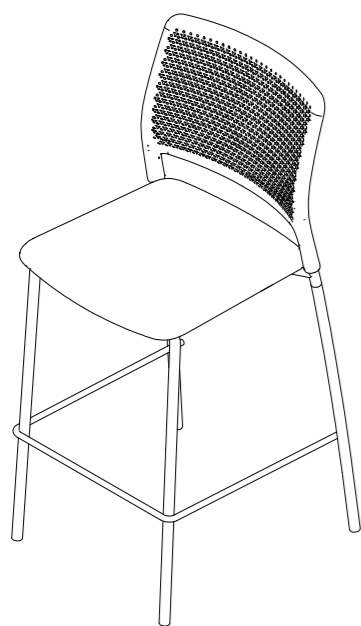
550mm
Overall Depth



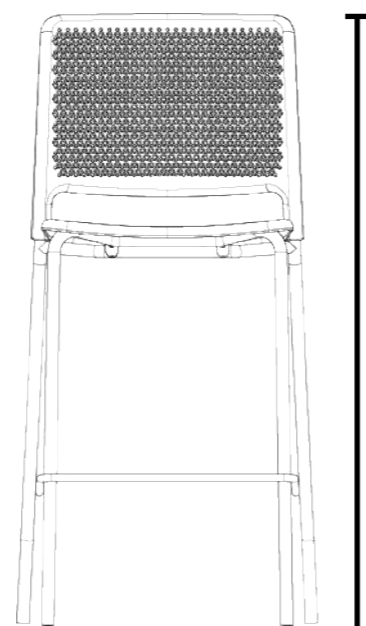
550mm
Seat Width

470mm
Seat Depth

Stool

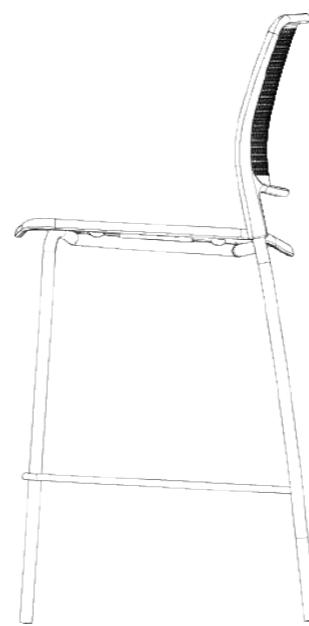


Weight / with seat pad
7.2kg / 7.8kg



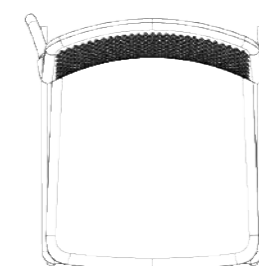
1120mm
Overall Height

530mm
Overall Width



760mm
Seat Height

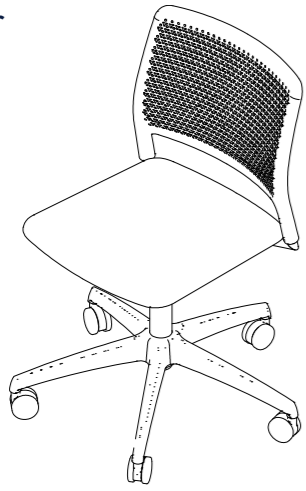
550mm
Overall Depth



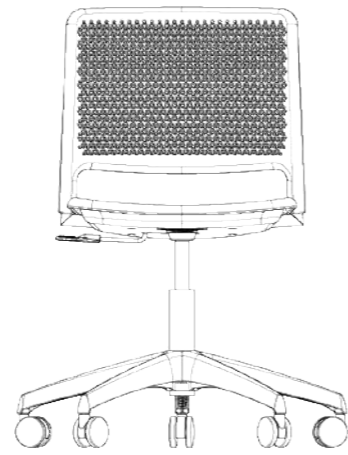
450mm
Seat Width

440mm
Seat Depth

Task Chair

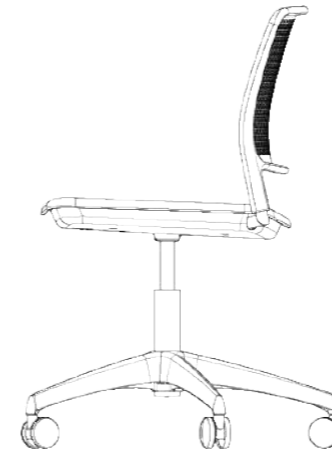


Weight / with seat pad
8.2kg / 8.9kg



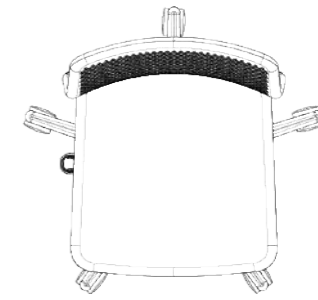
650mm
Overall Width

800-920mm
Overall Height



650mm
Overall Depth

420-540mm
Seat Height



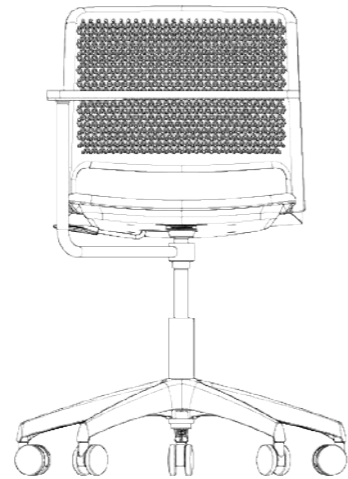
450mm
Seat Width

440mm
Seat Depth

Task Chair
With Tablet Arm

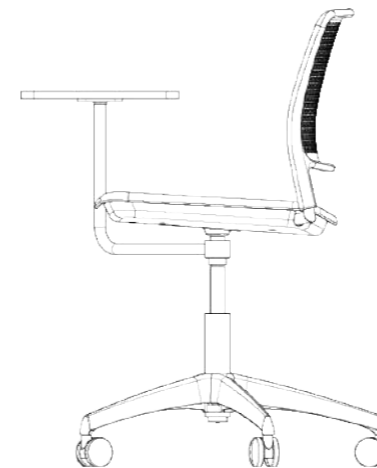


Weight / with seat pad
10.3kg / 11kg



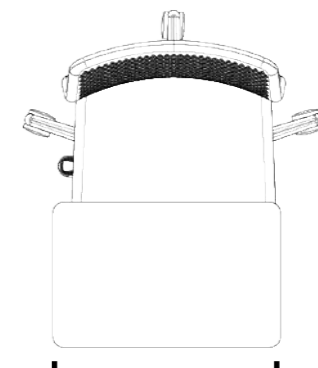
650-1180mm
Overall Width

800-920mm
Overall Height



650-1180mm
Overall Depth

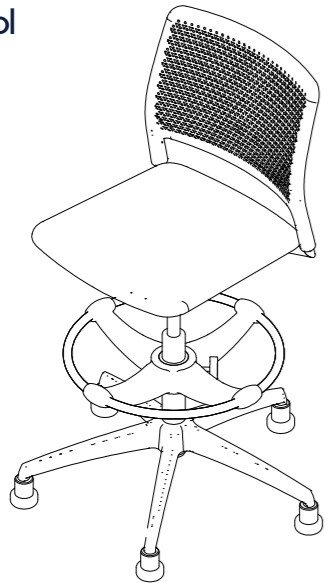
420-540mm
Seat Height



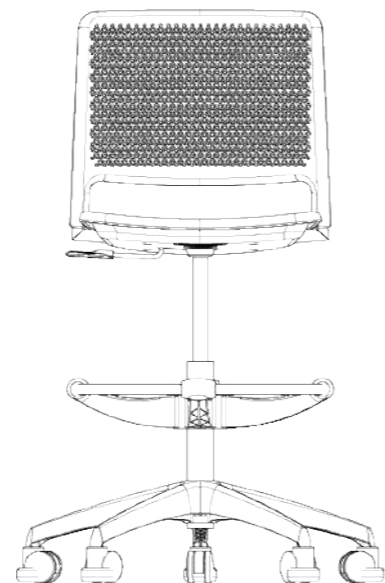
450mm Seat Width
500mm Tablet Width

440mm Seat Depth
320mm Tablet Depth

Task Stool

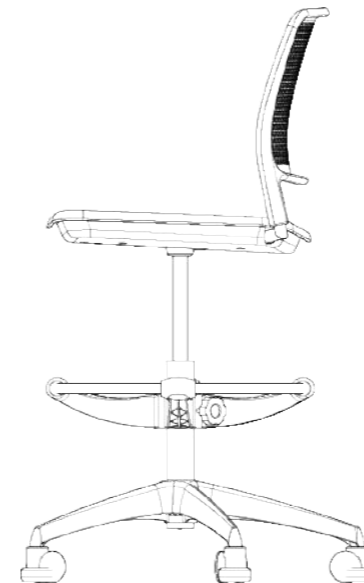


Weight / with seat pad
11.3kg / 12kg



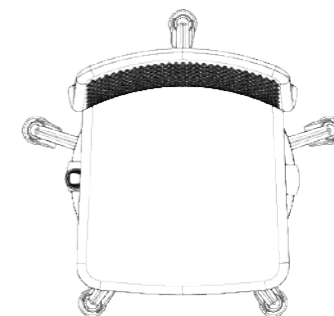
650mm
Overall Width

950-1200mm
Overall Height



650mm
Overall Depth

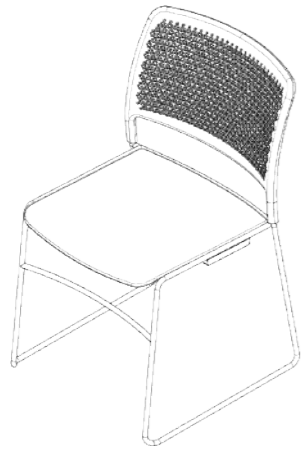
560-820mm
Seat Height



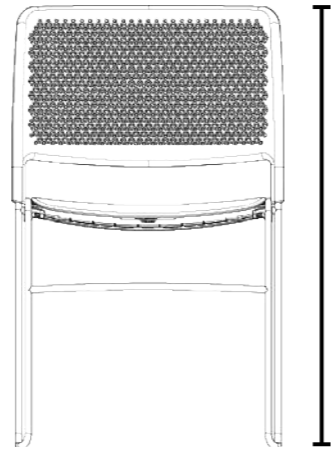
450mm
Seat Width

440mm
Seat Depth

HD Chair



Weight / with seat pad
6.7kg / 7kg



489mm
Overall Width

796mm
Overall Height



553mm
Overall Depth

440mm
Seat Height



450mm
Seat Width

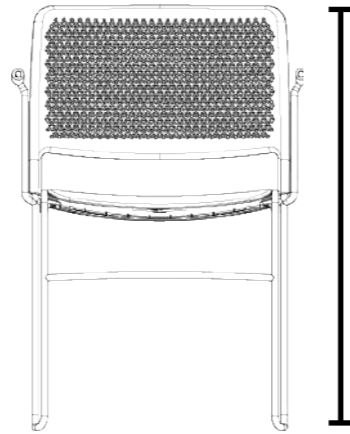
440mm
Seat Depth

HD Chair
With Arms



Weight / with seat pad
7.2kg / 7.5kg

679mm
Arm Height



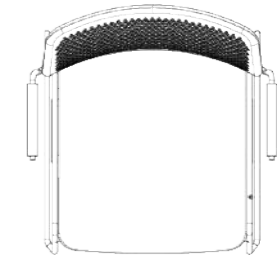
552mm
Overall Width

796mm
Overall Height



553mm
Overall Depth

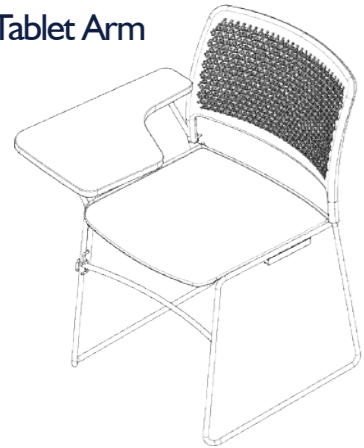
440mm
Seat Height



450mm
Seat Width

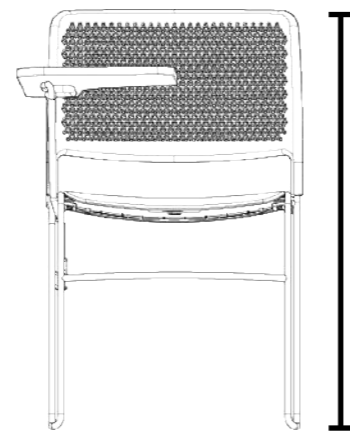
440mm
Seat Depth

HD Chair
With Tablet Arm



Weight / with seat pad
8.8kg / 9.1kg

663mm
Tablet Height



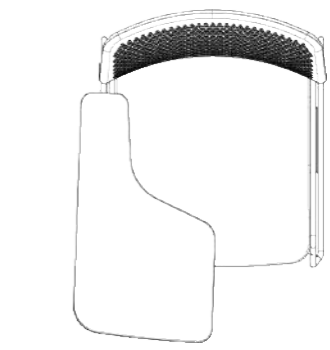
544mm
Overall Width

796mm
Overall Height



715mm
Overall Depth

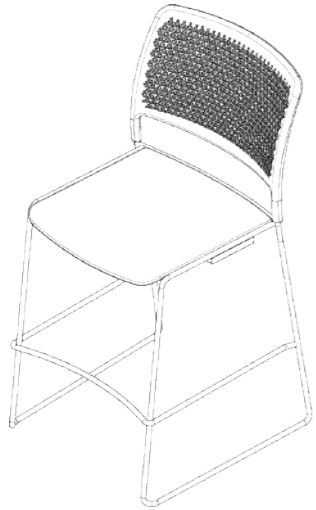
440mm
Seat Height



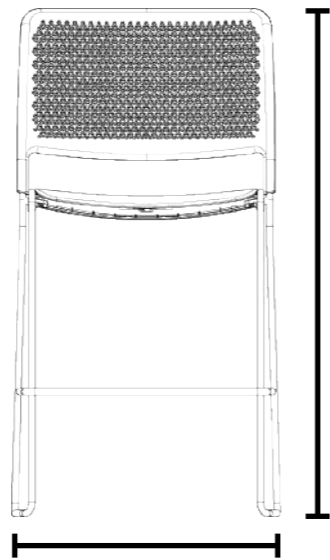
450mm Seat Width
305mm Tablet Width

440mm Seat Depth
525mm Tablet Depth

HD Stool
610

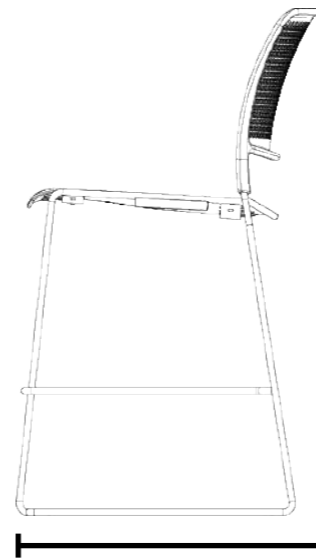


Weight / with seat pad
8.2kg / 8.5kg



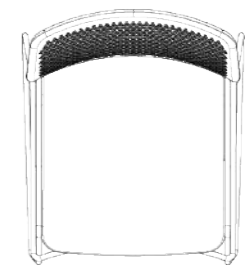
506mm
Overall Width

962mm
Overall Height



584mm
Overall Depth

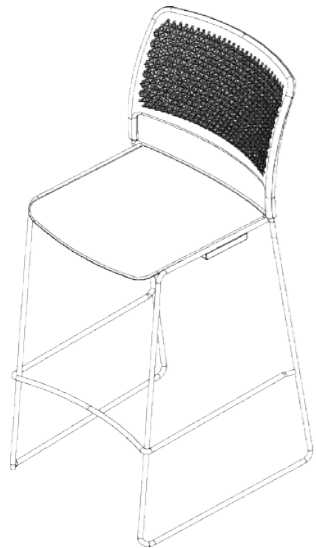
610mm
Seat Height



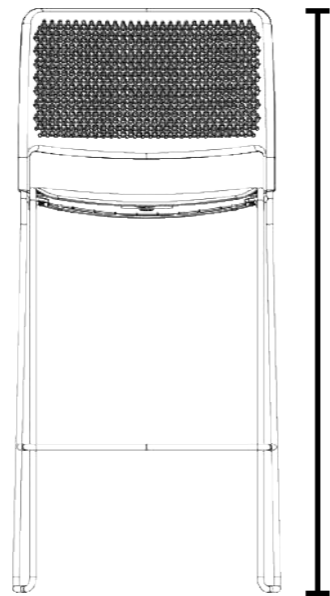
450mm
Seat Width

440mm
Seat Depth

HD Stool
760



Weight / with seat pad
8.8kg / 9.1kg



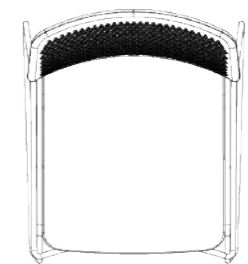
507mm
Overall Width

1112mm
Overall Height



584mm
Overall Depth

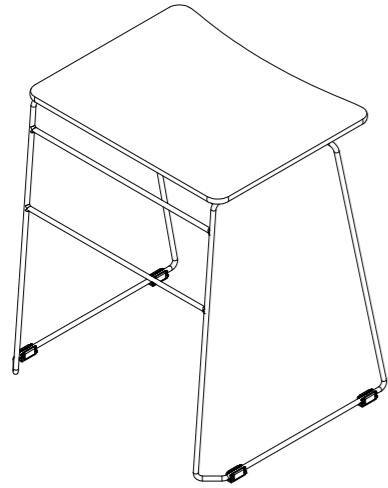
760mm
Seat Height



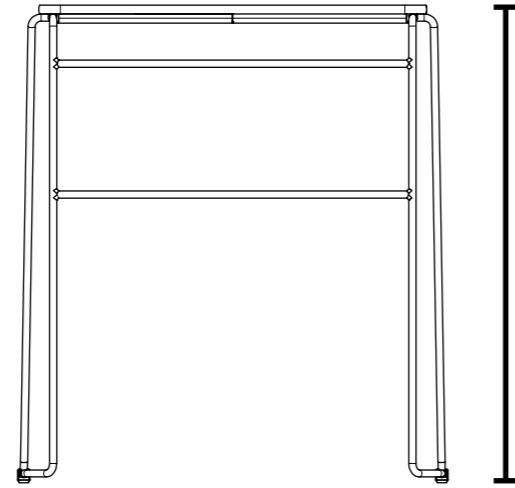
450mm
Seat Width

440mm
Seat Depth

HD Table

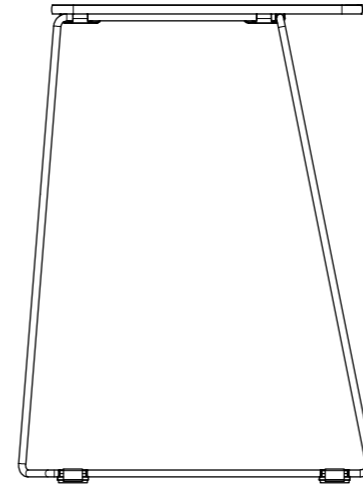


Weight
9kg

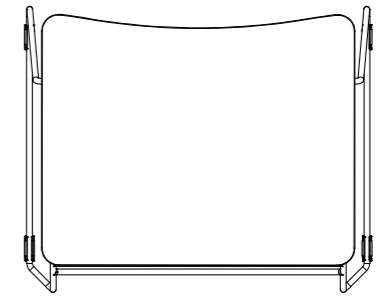


660mm
Overall Width

742mm
Overall Height



534mm
Overall Depth



602mm
Worksurface Width

457mm
Worksurface Depth

Additional Information

KI (UK) Ltd Rights & Warranties

We stand behind the quality of our Grafton Seating Collection. Enjoy peace of mind with our 15-year warranty and 5-year warranty on task base and gas column. For detailed warranty information, please visit our website:

<https://www.kieurope.com/customer-service/legal-privacy/warranties>

Environmental Information

We prioritise sustainability in our manufacturing processes and materials.

Materials

30% polypropylene backrest & seat

100% recycled polypropylene underseat shroud

Task base - 100% nylon

Foot ring - chrome plated steel

Glides - nylon with steel pin

Castors - nylon with steel pin & components

Tablet arms - worksurface 15mm BB/BB birch ply board, finished with laminate surface, two-coat lacquer edge.

Arm 100% powdercoated steel with plastic or rubber cap.

Polypropylene in all colours contains a minimum of 30% recycled content.

All nylon parts are 100% recycled content

Steel parts contain 20% recycled content

All polypropylene, nylon and steel parts are 100% recyclable

Certification

- Indoor Advantage™ Gold - Furniture**
 This product has been independently assessed by [SCS Global Services](#) to be certified for low volatile organic compound (VOC) emissions. The Indoor Advantage™ Gold standard aligns with both ANSI/BIFMA M7.1 and X7.1, and CA01350. Suitable for projects aiming to achieve [SKA](#), [BREEAM](#), [WELL](#), [LEED v4](#) and more.

- EN16139**
 Strength, durability and safety - Requirements for non-domestic seating (for adults weighing up to 163kg)

Design Resources

Images libraries, certificates, CAD/Revit models and more resources are available on www.kieurope.com/grafton

Care & Maintenance Instructions

Proper care and maintenance are essential for preserving the appearance and finish of your Grafton Seating. Here are some guidelines for each component:

Polypropylene shells

To clean the poly shells, use a soft cloth with mild soap or detergent and lukewarm water. Avoid using solvents, citrus/orange-based cleaners, or heavy-duty kitchen cleaners. Wipe dry immediately. For light cleaning and restoring the lustre of smooth surfaces, use a non-abrasive all-purpose cleaner. High-quality wax can also be used to protect the finish.

Powder-coated & chrome metal frames

For powder coated metal frames, use a mild solution of water and detergent. Always rinse thoroughly with water and dry with a soft cloth. It is recommended to protect frames from water, rain, ice, snow and salt. For gloss finishes, use a silicon-based spray polish. For thin surfaces scratches, wipe with thinners or spray with clear lacquer. Deep scratched can be sanded with emery paper, cleaned and repainted with appropriate spray gloss / matte paint. Always ensure colour matching by spraying onto white photocopy paper for reference.

Laminate surfaces

To clean laminate surfaces, use an all-purpose cleaner to remove ink stains, crayon marks and water-based paint stains. Use thinners to remove oil-based paint stains (apply onto a soft cloth, not directly on the surface). For superficial surface scratches, use linseed oil. Avoid using thinners on PVC edging, as it may cause damage. Do not use excessive water to clean work surfaces, as it can lead to warping or thickness changes.

Vinyl fabric

For vinyl fabric upholstery, use warm water with normal dishwashing liquid and a soft cloth. Dry with a clean, soft cloth.

Polyester & wool fabric

To clean polyester and wool fabric upholstery, use dry carpet pellets or powder for wet stains. Let the area dry and brush off or vacuum. For dry stains, apply a standard upholstery cleaner foam, spray lightly, let it sit for 5 minutes and brush off.

Packaging & Shipping

We believe in responsible packaging. Our Grafton Seating is shipped in 100% recyclable cardboard cartons, with 1 task chair or 2 stacking chairs per carton.

Product	Units per pallet	Pallet weight (kg)	Pallet dimensions (mm, LxWxH)
4 Leg	16	156	1000x1200x1370
4 Leg on Castors	16	161	1000x1200x1470
4 Leg with arms	4	49	1000x1200x2100
4 Leg on castors with arms	4	50	1000x1200x2100
Sled Base	16	161	1000x1200x1470
Stool	3	50	1000x1200x1900
Task	4	65	1000x1200x2100
Task Stool	4	71	1000x1200x2100
HD Chair	60	419	1000x1200x2100
HD Chair with Arms	40	305	1000x1200x2100
HD Stool	40	369	1000x1200x2100



KI (UK) Ltd
91 Goswell Road
London,
EC1V 7EX

kieurope.com
020 7404 7441
info@kieurope.com