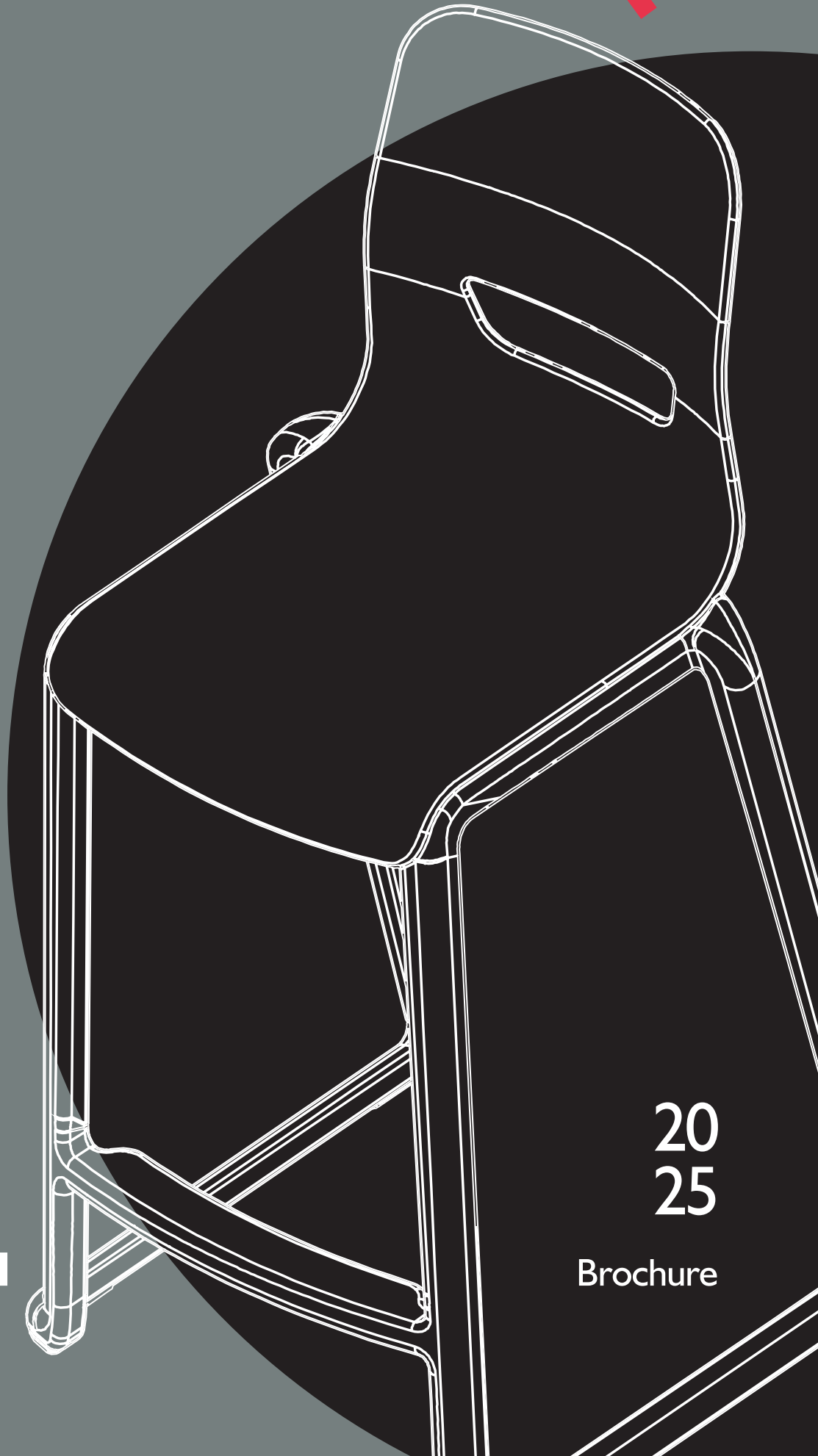




postura +



20
25

Brochure

postura +



CONTENTS

Leading The Way	1
The Most Trusted Name	3
The All-round Performer	5
One Piece Stools	8
Colour Collection	15
Key Features	21
Specifications	23
Environmental Overview	27
Additional Information	29



A hand is shown pouring a stream of white granules into a dark, circular, funnel-like shape. The granules are falling and creating a large, dark, circular area filled with the white particles. In the bottom right corner, there is a white outline of a recycling symbol. The background is dark, and the overall composition is clean and modern.

Leading- ing The Way To A Sus- tainable Future

“Our customers across the UK and Europe want to reduce their environmental impact without compromising quality or incurring unrealistic costs. Postura+ is a fantastic step in the right direction and we’re confident our customers will be enthusiastic about this great achievement.”

Alison Mallett,
Director of Education Furniture

The Most Trusted Name In Edu- cation

Postura+ is durable, low maintenance, and comfortable and designed for education environments. Created in Australia in the 1990s, it quickly gained popularity in the UK and has since been locally manufactured to meet growing demand and European standards.

The Postura+ collection helps create high performing learning spaces that support students' full potential with its versatile and specialist seating products. Its ergonomic design enhances concentration and comfort, making it excellent value for money by reducing procurement, repair and installation costs. Postura+ is backed by several certifications and a 20 year warranty and is used by millions of students worldwide.





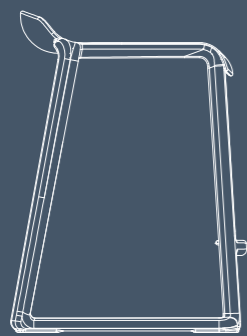
The All- round Per- former

Furniture is crucial in creating optimal learning spaces. Classrooms that once catered to one teaching style are now evolving into problem-solving and collaborative environments. The learning space must be flexible to adapt to the needs of teachers and students.

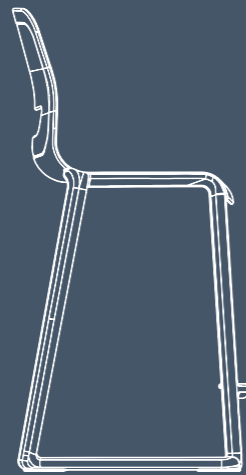
Postura+ is the ideal solution for any budget and space, providing comfort, durability and practicality. Its ergonomic design enhances concentration and wellbeing, while its high-quality materials make it durable and easy to move. Plus, it's 100% recyclable and suitable for occasional outdoor use.



Polypropylene Shell



Low Back
Stool



High Back
Stool

One Piece Stools



The Postura+ range has expanded to include One Piece Stools. With the same ergonomics and durability as our chairs, these low and high back stools are built for practical learning environments where comfort and safety is priority.

- Made from glass filled polypropylene and a minimum of 30% recycled polypropylene
- One piece injection-moulded meaning no loose parts
- Slim, sled base design
- Non-marking built in glides, suitable for non-slip floors
- Anti-static, stain resistant and easy to clean
- Wide foot rail for comfort and accessibility
- Stackable up to 5 high
- 20 colour options
- 20-year warranty
- Available in 3 heights

High Back One Piece Stool



Featuring a curved backrest for better lumbar support and superior flexibility to maximise comfort, built-in window providing better ventilation and large footrest for long seated periods.

Certifications:

- BS EN 1729-2:2023 certified
- BS EN 1729-1:2015 compliant
- BS EN 16139:2013 Test Level 2
- 3 heights available

Low Back One Piece Stool



A backless stool option with a large footrest for long seated periods.

Certifications:

- BS EN 1729-2:2023 certified
- BS EN 1729-1:2015 certified
- BS EN 16139:2013 Test Level 2
- 3 heights available



Colour Collection

Customisation is available, subject to minimum order quantities and additional surcharges.

To ensure accurate colour matching, we require Pantone or RAL references. Custom polypropylene colours require a minimum order quantity of 300 units per size and colour.

Colour Range →



Pantone 15-0000 TPX
Ash Grey

Pantone Black C
Black

Pantone 4139C
Slate Grey

Pantone 10C
Iron Grey



Rose Blossom
Pantone 692C

Grape Crush
Pantone 513C

Poppy Red
Pantone 485

Purple Haze
Pantone 518C

Light Sand
Pantone 7536C

Tangerine Fizz
Pantone 021C

Sun Yellow
Pantone 7548C

Misty Brown
Pantone 7531

↑
Muted
↓

↑
Neon
↓

↑
Chroma
↓

↑
Natural
↓

Hazy Jade
Pantone 645C

Lime Zest
Pantone 381C

Forest Green
Pantone 7728C

Moss Green
Pantone 16-0220TPX

Powder Blue
Pantone 5507C

Aqua Blue
Pantone 638C

Ink Blue
Pantone 2144C

Nordic Blue
Pantone 289C



Stackable up to 5 high



Wide foot rail for comfort and accessibility



Extra-large lower back ventilation

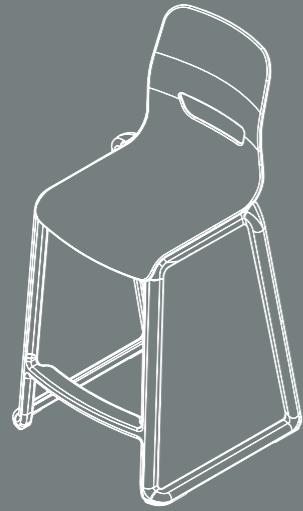


Non marking glides

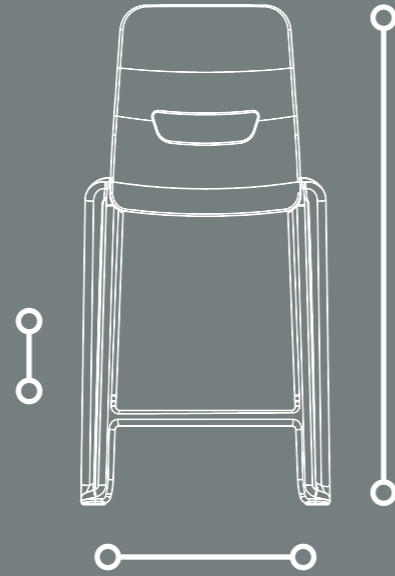
Key Features

Shell ●

postura +

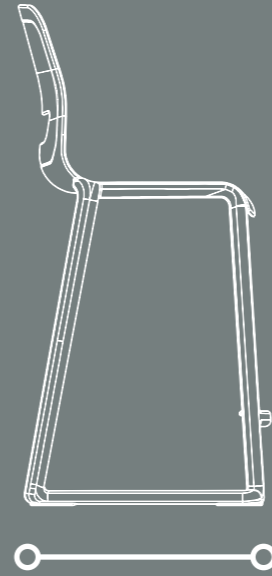


Foot Rail Height
380mm or 430mm or 460mm



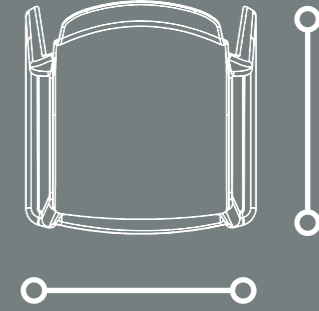
Overall Width
482mm or 483mm or 485mm

Overall Height
920mm or 970mm or 1045mm



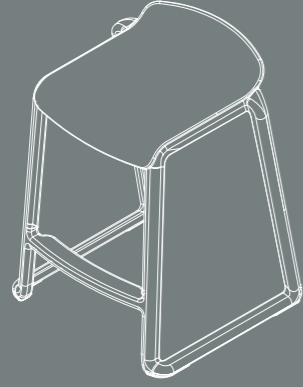
Overall Depth
370mm

Seat Height
560mm or 610mm or 685mm

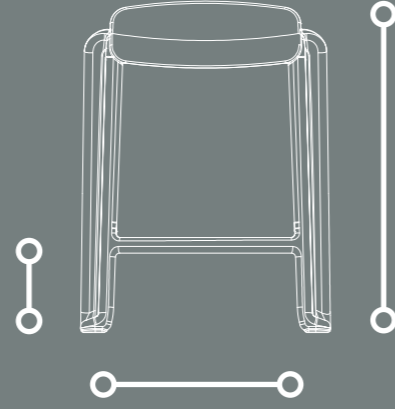


Seat Width
384mm

Seat Depth
458mm

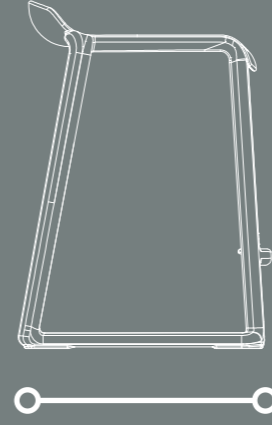


Foot Rail Height
380mm or 430mm or 460mm



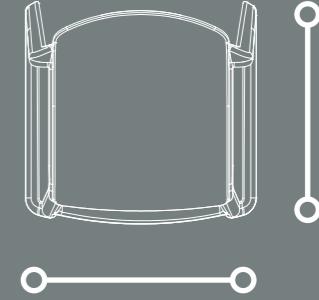
Overall Width
482mm or 483mm or 485mm

Overall Height
639mm or 689mm or 764mm



Overall Depth
370mm

Seat Height
560mm or 610mm or 685mm



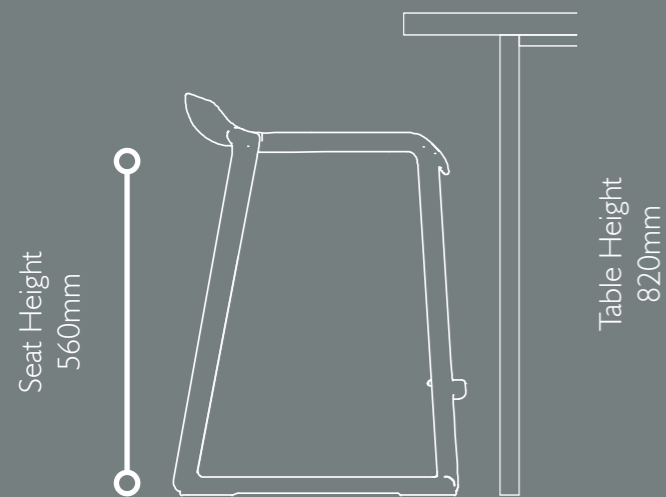
Seat Width
384mm

Seat Depth
419mm

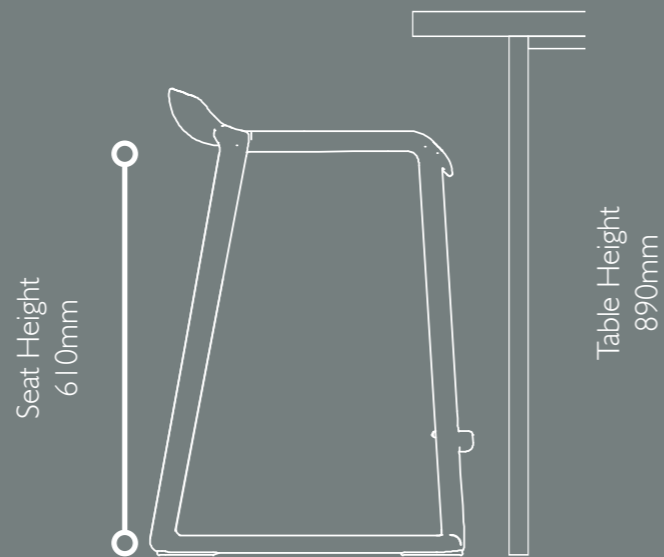
EN4

EN5

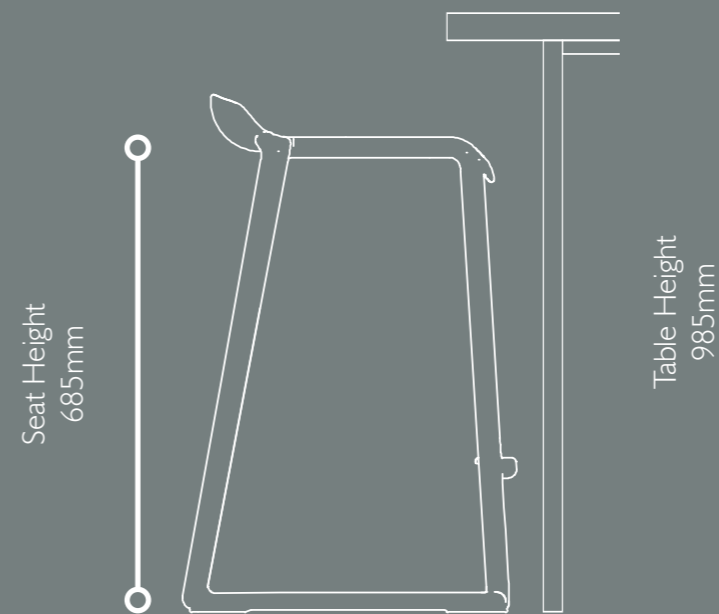
EN6



Foot Rail Height
380mm
Popliteal Height Range
355-405mm
Stature Range
1330-1590mm
Age Range
8-11



Foot Rail Height
430mm
Popliteal Height Range
405-435mm
Stature Range
1460-1765mm
Age Range
11-14



Foot Rail Height
460mm
Popliteal Height Range
435-485mm
Stature Range
1590-1880mm
Age Range
14-Adults





Environmental Overview

Materials Information

- All one piece stools are made from glass filled polypropylene, with a minimum 30% recycled polypropylene
- Fully recyclable

Additional Information



KI (UK) Ltd Rights & Warranties

Polypropylene shells: 20-year warranty.

For detailed information, please visit our website: <https://www.kieurope.com/customer-service/legal-privacy/warranties>

Certifications & Standards

- **Indoor Advantage Gold™ – Furniture:** All Postura+ products have been independently assessed by SCS Global Services and certifies for low volatile organic compound (VOC) emissions. This certification aligns with ANSI/BIRMA m7.1, X7.1 and CA01350. It contributes to LEED low emitting materials credits and WELL Credit 04 for VOC reduction.
- **BS EN 1729 Part 1:** Sizing & dimensions – Chairs and tables for educational institutions. Postura+ one piece stools are certified to this standard. (560mm one piece high back stool excluded)
- **BS EN 1729 Part 2:** Strength & stability – Chairs and tables for educational institutions. All Postura+ products are certified to this standard.
- **BS EN 16139:2013 Test Level 2:** Strength & stability – severe contract use. All Postura+ products are certified to this standard.

Design Resources

For image libraries, certificates, CAD/Revit models and more resources, please visit kieurope.com/postura

Care & Maintenance Instructions

Maintaining the appearance and finish of your product is best achieved through proper care and cautious use.

Polypropylene shells:

For regular cleaning of Shells use a soft cloth with mild soap or detergent and lukewarm water. Avoid solvents, citrus/orange-based cleaners or heavy-duty kitchen cleaners. Stubborn spots like chewing gum can be removed using cigarette lighter fluid. Wipe dry immediately. To restore lustre to smooth surfaces and perform light cleaning, a general non-abrasive all-purpose cleaner is recommended. Its anti-static properties help repel dust and dirt. High-quality wax can be used to restore lustre and provide protective coating.

Packaging & Shipping

Wooden pallets: reusable and recyclable

Shrink wrap: recyclable & made from 30% recycled plastic

Banding: recyclable

Product	Units per box	Units per pallet	Pallet weight*	Pallet dimensions* (mm, L x W x H)
One Piece Stool Low Back – 560mm	1	16	101kg	1000 x 1200 x 1060
One Piece Stool Low Back – 610mm	1	16	104kg	1000 x 1200 x 1110
One Piece Stool Low Back – 685mm	1	16	126kg	1000 x 1200 x 1190
One Piece Stool High Back – 560mm	1	16	113kg	1000 x 1200 x 1340
One Piece Stool High Back – 610mm	1	16	116kg	1000 x 1200 x 1390
One Piece Stool High Back – 685mm	1	16	137kg	1000 x 1200 x 1465

Weights

Product	Product Weight	Max Weight
One Piece Stool Low Back – 560mm	5.2kg	204kg
One Piece Stool Low Back – 610mm	5.43kg	204kg
One Piece Stool Low Back – 685mm	6.76kg	204kg
One Piece Stool High Back – 560mm	5.95kg	204kg
One Piece Stool High Back – 610mm	6.17kg	204kg
One Piece Stool High Back – 685mm	7.5kg	204kg

* All Weights and dimensions are approximate.





KI (UK) Ltd
New Fetter Place
8-10 New Fetter Lane
London,
EC4A 1AZ

kieurope.com
020 7404 7441
info@kieurope.com

KI and Furnishing Knowledge
are registered trademarks of
KI Inc