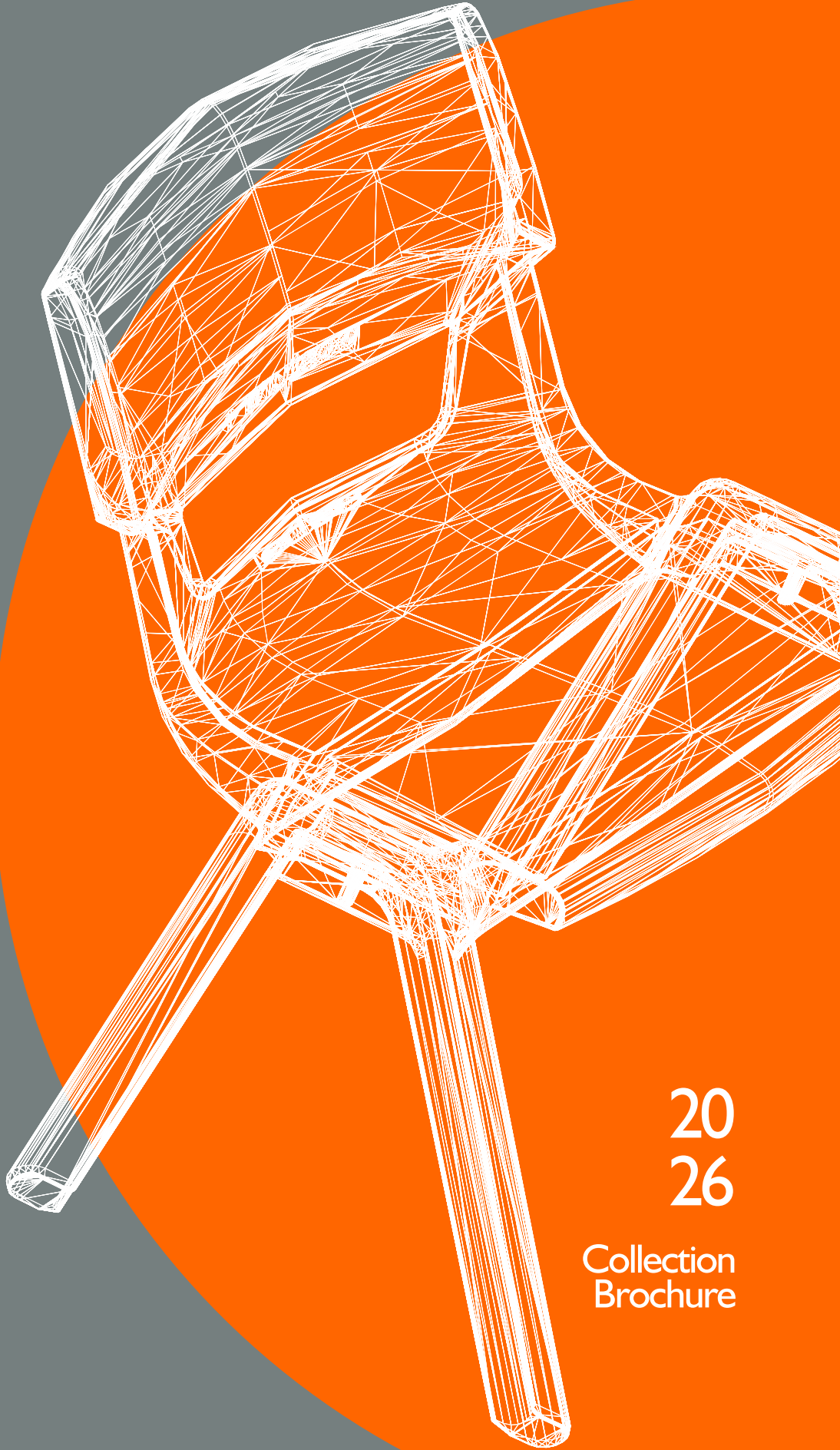


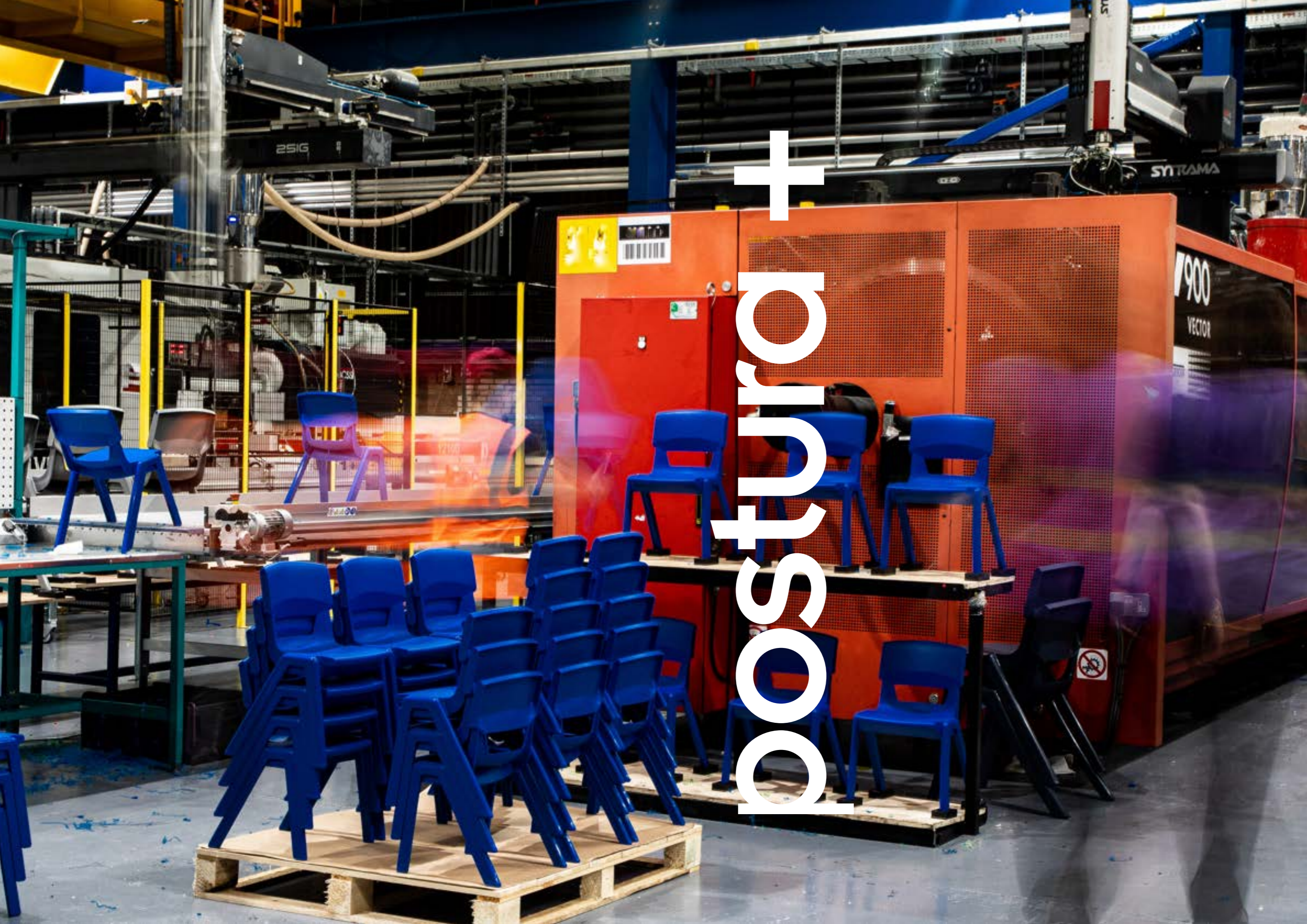


postura +



20
26

Collection
Brochure



+
bro
t
s
o
o

CONTENTS

| | |
|------------------------------------|----|
| The Most Trusted Name In Education | 1 |
| The All-round Performer | 3 |
| Leading The Way | 5 |
| Seating Collection | 8 |
| One Piece Collection | 12 |
| One Piece Chair | 14 |
| Chair Size Guide | 15 |
| One Piece Stool | 18 |
| Mixed Material Collection | 22 |
| Colour Collection | 31 |
| Upholstery Options | 43 |
| Specifications | 45 |
| Perfect Fit | 54 |
| Environmental Overview | 57 |
| Additional Information | 59 |



The Most Trusted Name In Education

Postura+ is durable, low maintenance, and comfortable and designed for education environments. Created in Australia in the 1990s, it quickly gained popularity in the UK and has since been locally manufactured to meet growing demand and European standards.

The Postura+ collection helps create high performing learning spaces that support students' full potential with its versatile and specialist seating products. Its ergonomic design enhances concentration and comfort, making it excellent value for money by reducing procurement, repair and installation costs. Postura+ is backed by several certifications and a 20 year warranty and is used by millions of students worldwide.





The All- round Per- former



Furniture is crucial in creating optimal learning spaces. Classrooms that once catered to one teaching style are now evolving into problem-solving and collaborative environments. The learning space must be flexible to adapt to the needs of teachers and students.

Postura+ is the ideal solution for any budget and space, providing comfort, durability and practicality. Its ergonomic design enhances concentration and wellbeing, while its high-quality materials make it durable and easy to move. Plus, it's 100% recyclable and suitable for occasional outdoor use.

Leading- Way To A Sustainable Future



“Our customers across the UK and Europe want to reduce their environmental impact without compromising quality or incurring unrealistic costs. Postura+ is a fantastic step in the right direction and we’re confident our customers will be enthusiastic about this great achievement.”

Alison Mallett,
Director of Education Furniture

Postura+ one piece chairs are made with at least 50% recycled polypropylene with plans to increase this to 80 - 100% in the future.

The Postura+ one piece stools are made from glass filled polypropylene, with a minimum 30% recycled polypropylene too.

Our recycled plastic comes from a UK-based supply chain of waste plastic from the food industry. Over 1000 tonnes of this is used in the standard production process a year, the equivalent of 3.3 million food containers. The 50% recycled polypropylene chairs and 30% recycled stools have been rigorously tested and achieved the same certifications and standards as fully virgin plastic chairs with a 20-year warranty remaining in place.





Seating Collection



Optional chrome task base with castors or glides



Anti-static and anti-rocking for student safety



Non marking glides



Integrated grab handle



Link chairs available in size 5 & 6 for connected seating arrangements

Extra-large lower back ventilation



Waterfall seat edge

Chairs stackable to 12 on floor or trolley
Trolley dimensions -
W: 580mm D: 350mm H: 1320mm



Flexible backrest



Wide foot rail for comfort and accessibility



Glass fibre glides to protect floors & frame



Built-in UV filter for outdoor use

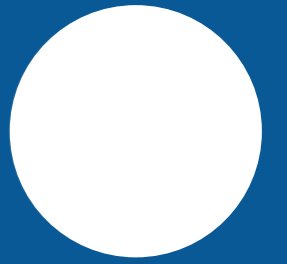


Powder coated steel tube legs

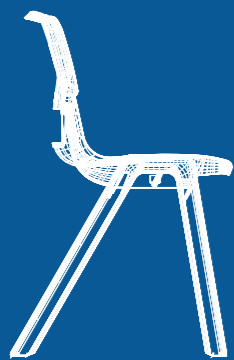


Black nylon task base with castors or glides

Polypropylene Shell



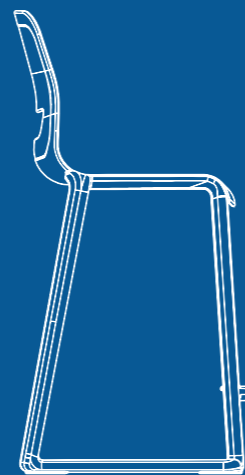
One Piece Collection



One Piece
Chair



Low Back
Stool



High Back
Stool





A one piece injection-moulded polypropylene chair, available in 6 sizes and stackable up to 12 high.

- Optional link clip (size 5 & 6)
- Optional transport trolley
- Upholstered seat option available (size 3-6)

One Piece Chair

Chair Sizing Guide

On Postura+ chairs you can find a colour-coded sticker on the top side of the backrest that corresponds to the table above. The example (below left) shows a blue sticker, so the chair can be identified as a Ash Grey size mark 6 chair.

| Size Mark | Colour Code | Seat Height | Seat Width | Seat Depth | Overall Height | Overall Width | Overall Depth | Weight (no seatpad) | Stack Height (12) |
|-----------|-------------|-------------|------------|------------|----------------|---------------|---------------|---------------------|-------------------|
| 1 | ● | 260mm | 280mm | 250mm | 500mm | 360mm | 330mm | 1.43kg | 1365mm |
| 2 | ● | 310mm | 280mm | 250mm | 550mm | 360mm | 365mm | 1.53kg | 1413mm |
| 3 | ● | 350mm | 340mm | 310mm | 645mm | 430mm | 420mm | 2.34kg | 1594mm |
| 4 | ● | 380mm | 340mm | 310mm | 675mm | 430mm | 440mm | 2.42kg | 1627mm |
| 5 | ● | 430mm | 380mm | 370mm | 760mm | 480mm | 505mm | 3.60kg | 1834mm |
| 6 | ○ | 460mm | 380mm | 370mm | 790mm | 480mm | 525mm | 3.73kg | 1850mm |



NEW
For 2025



The Postura+ range has expanded to include One Piece Stools. With the same ergonomics and durability as our chairs, these low and high back stools are built for practical learning environments where comfort and safety is priority.

- Made from glass filled polypropylene and a minimum of 30% recycled polypropylene
- One piece injection-moulded meaning no loose parts
- Slim, sled base design
- Non-marking built in glides, suitable for non-slip floors
- Anti-static, stain resistant and easy to clean
- Wide foot rail for comfort and accessibility
- Stackable up to 6 high
- 20 colour options
- 20-year warranty

One Piece Stool

18

High Back One Piece Stool



Featuring a curved backrest for better lumbar support and superior flexibility to maximise comfort, built-in window providing better ventilation and large footrest for long seated periods.

Certifications:

- BS EN 1729
- 3 heights available

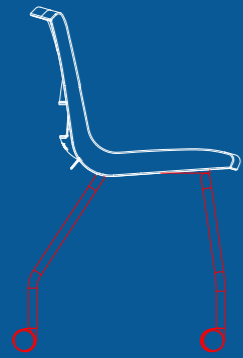
Low Back One Piece Stool



A backless stool option with a large footrest for long seated periods.

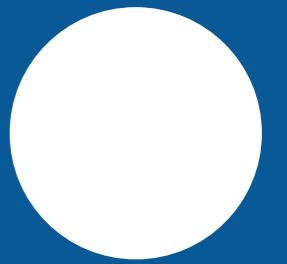
Certifications:

- BS EN 1729
- 3 heights available

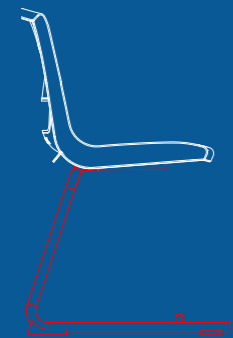
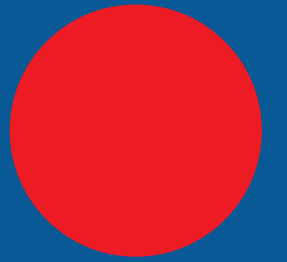


4 Leg
On Castors

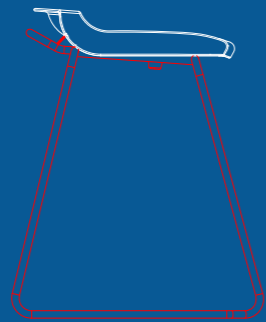
Polypropylene Shell



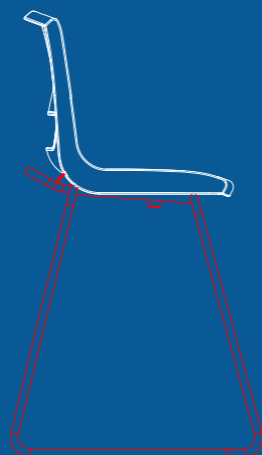
Frame



Reverse
Cantilever

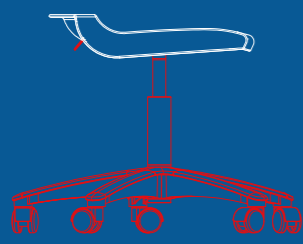


Low Back
Stool

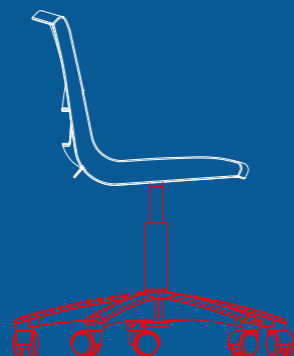


High Back
Stool

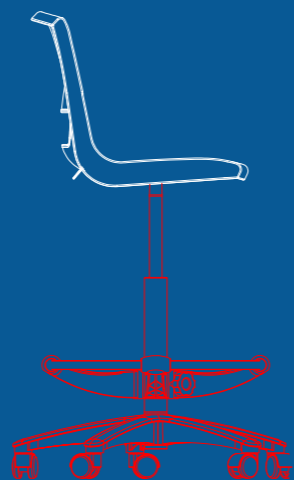
Mixed Material Collection



Low Back
Task Chair



High Back
Task Chair



Task
Stool



4 Leg On Castors

A mobile version of the classic 4 leg postura+ chair with 4 legs and castors for easy movement.



Reverse Cantilever

The Reverse Cantilever Chair matches the industry leading comfort and durability of our iconic one piece chair, but in a sleek two piece design. Available in 2 sizes.



Low Back Stool

A stool available with footrest for added comfort and nylon glides to protect floors and frames. Available in 3 sizes with an integrated bag hook/grab handle.



High Back Stool

A high back stool available in 3 sizes which comes with nylon glides to protect floors and frames. The sled base design comes with an integrated bag hook/grab handle.



Low Back Task Chair

A low back task chair with a height adjustable gas column for added flexibility.



High Back Task Chair

A task chair with a height adjustable gas column for added flexibility.



Task Stool

A task stool with height adjustable gas column for added flexibility and chrome footrest for comfort.





Colour Collection

Custom Colour



We offer customisation options for both polypropylene and metal frame colours, subject to minimum order quantities and additional surcharges.

To ensure accurate colour matching, we require Pantone or RAL references. Custom polypropylene colours require a minimum order quantity of 300 units per size and colour.

Colour Range →

Pantone 692C

Pantone 7536C

Pantone 5507C

Pantone 645C

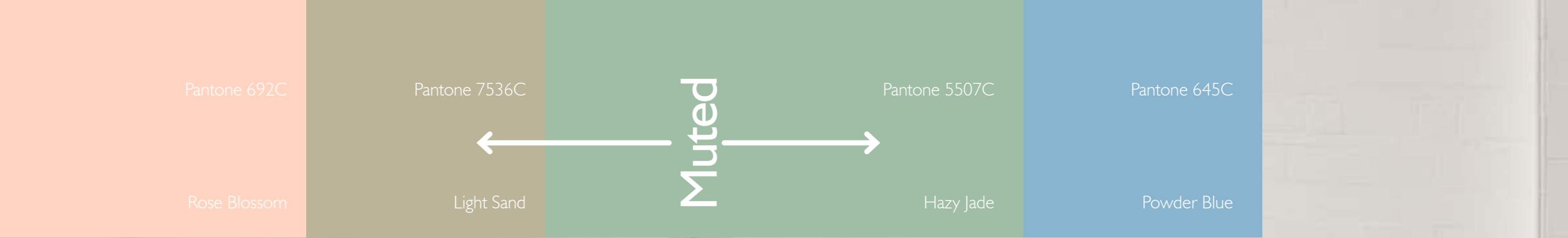
Rose Blossom

Light Sand

Hazy Jade

Powder Blue

Muted



Pantone 518C

Pantone 7531

Pantone 16-0220 TPX

Pantone 289C

Purple Haze

Misty Brown

Natural

Moss Green

Nordic Blue



Pantone 485

Pantone 7548C

Pantone 7728C

Pantone 2144C

Poppy Red

Sun Yellow

Forest Green

Ink Blue

Chroma



Pantone 513C

Grape Crush

Pantone 021C

Tangerine Fizz

Neon

Pantone 381C

Lime Zest

Pantone 638C

Aqua Blue





Pantone Black C

Jet Black

Pantone 4139C



Achromatic

Slate Grey

Pantone 10C

Iron Grey

Pantone 15-0000 TPX



Ash Grey

Find up to date upholstery options [here](#).



Please confirm with your KI Account Manager for the most up-to-date fabric options, including additional fabric brands.



Tamper proof fixing

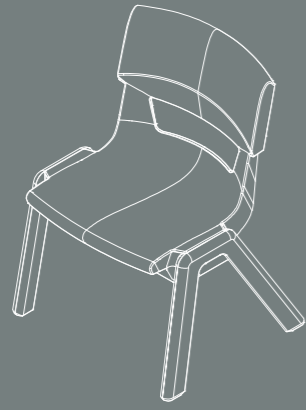


NB: Seat pads are available on all Postura+ products except for One Piece Chairs in sizes 1 & 2.

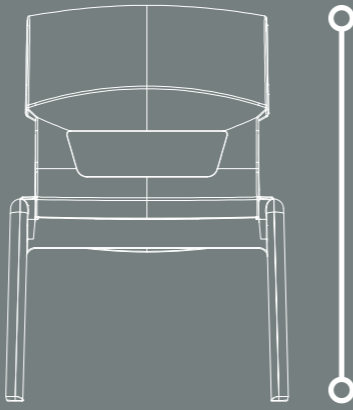
Minimum order of four seat pads apply

Uphol- stery Options

postura +



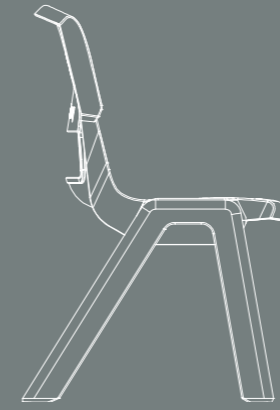
See Page 16 for
Chair Sizing Guide



Overall Width
360mm - 480mm



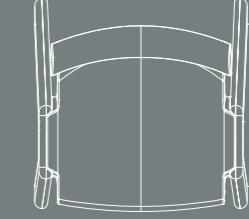
Overall Height
500mm - 790mm



Overall Depth
330mm - 525mm



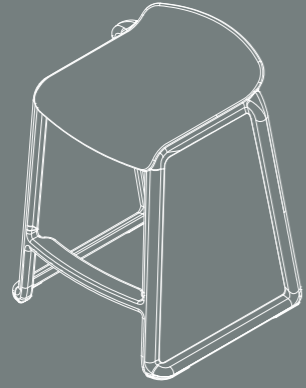
Seat Height
260mm - 460mm



Seat Width
280mm - 380mm

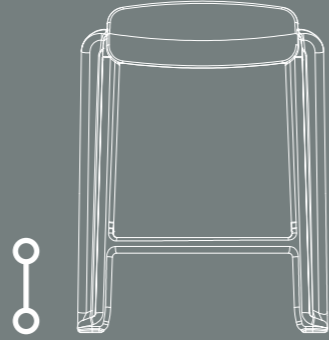


Seat Depth
250mm - 370mm



Foot Rail Height
380mm or 430mm or 460mm

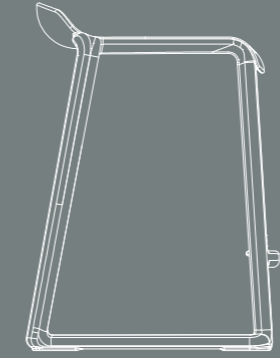
Foot Rail Height



Overall Width
482mm or 483mm or 485mm



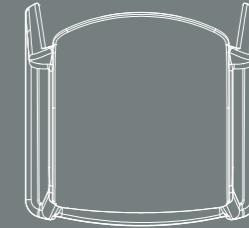
Overall Height
639mm or 689mm or 764mm



Overall Depth
370mm



Seat Height
560mm or 610mm or 685mm

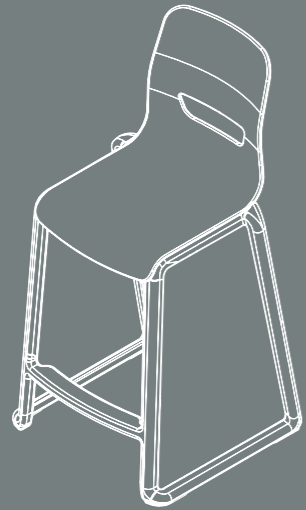


Seat Width
384mm



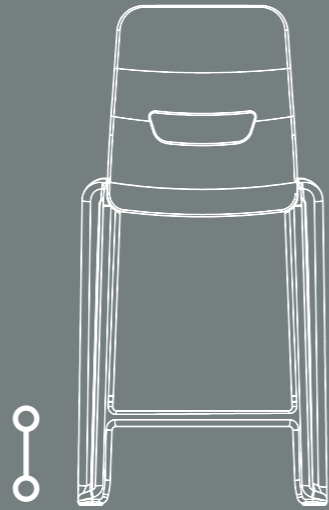
Seat Depth
380mm

● Shell



Foot Rail Height
380mm or 430mm or 460mm

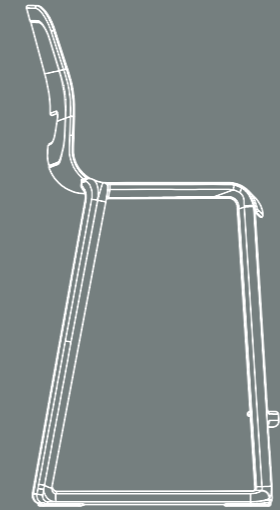
Foot Rail Height



Overall Width
482mm or 483mm or 485mm



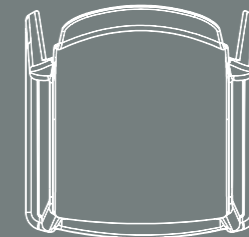
Overall Height
920mm or 970mm or 1045mm



Overall Depth
370mm



Seat Height
560mm or 610mm or 685mm

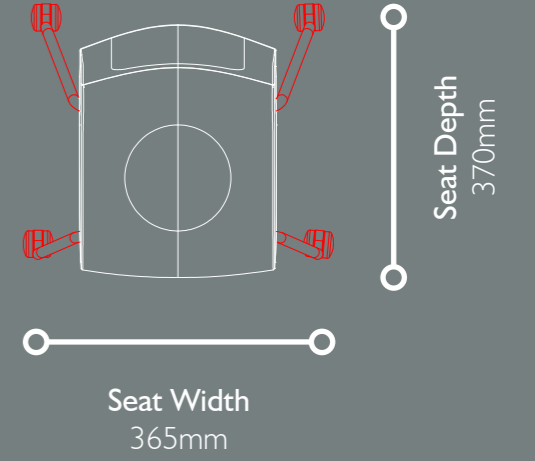
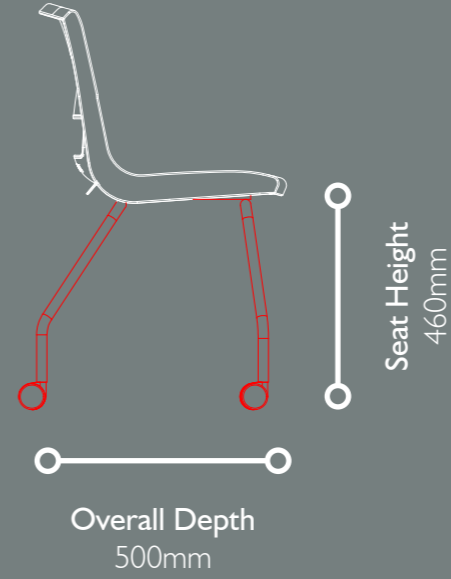
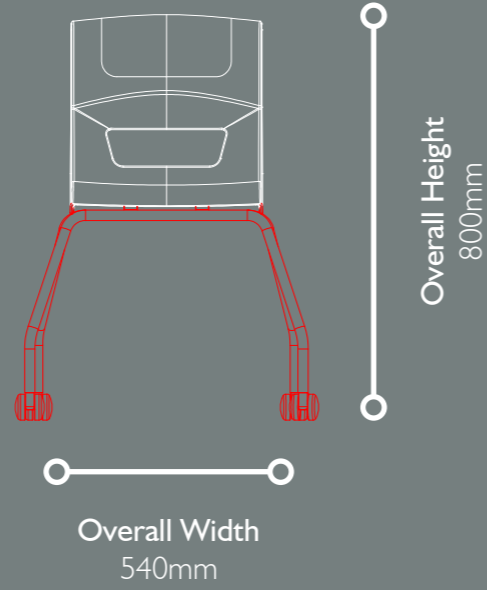
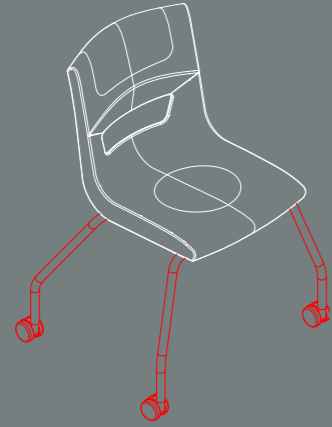


Seat Width
384mm



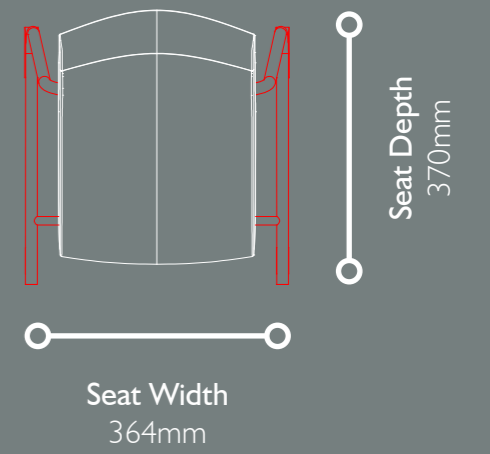
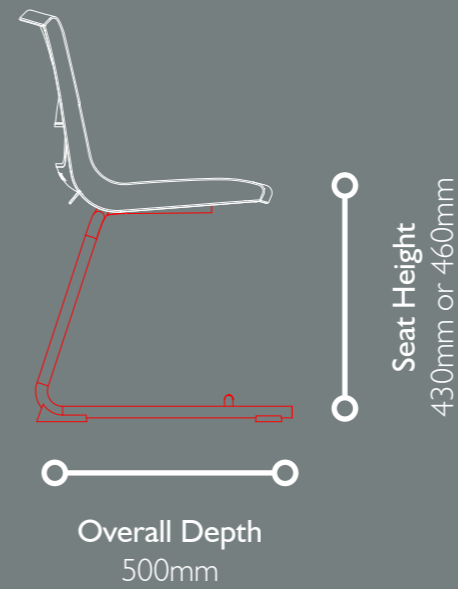
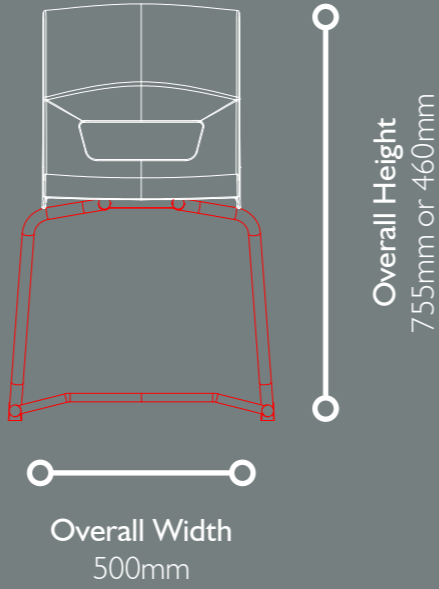
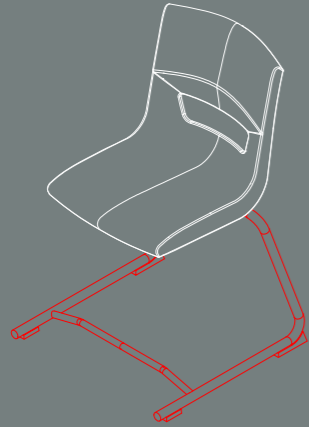
Seat Depth
380mm

postura +



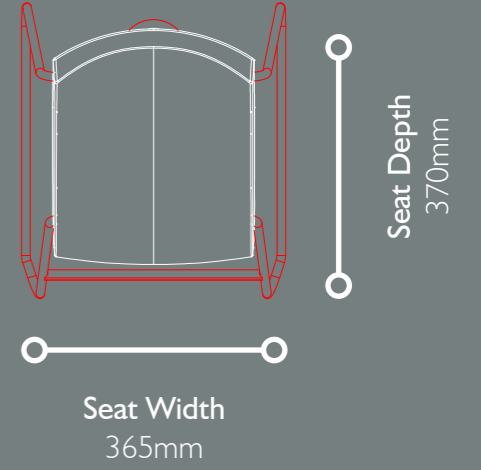
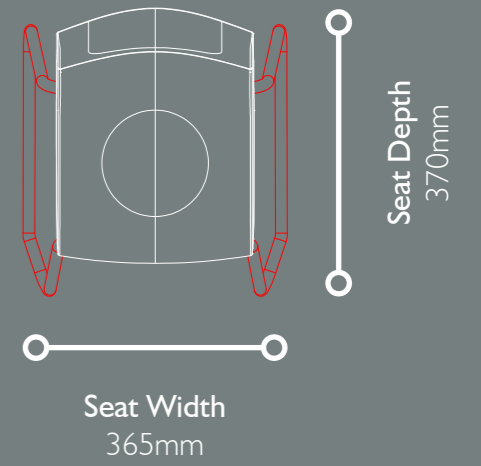
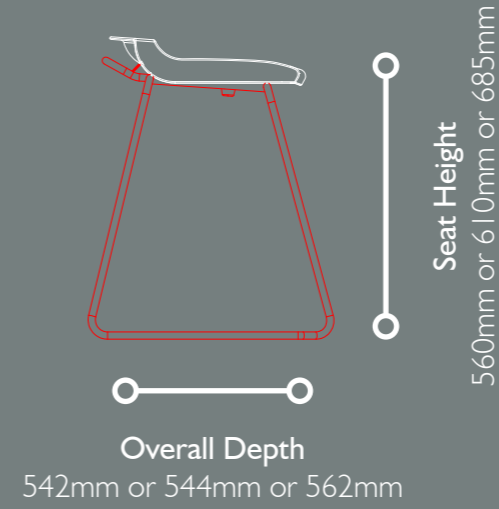
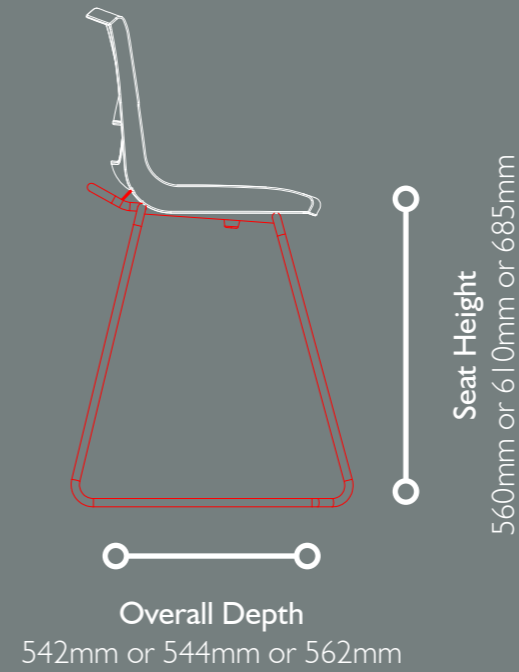
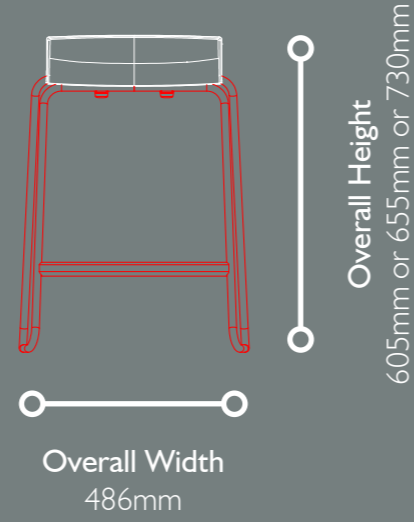
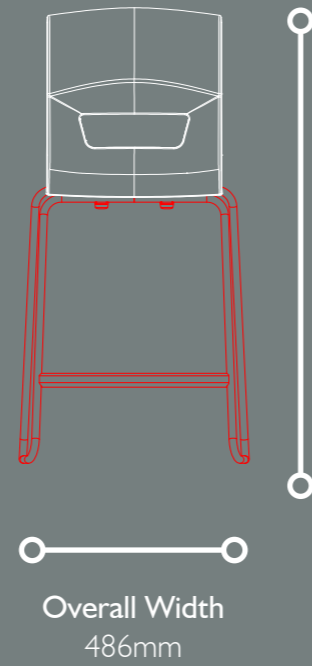
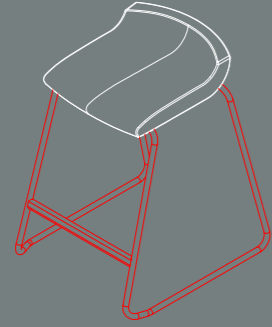
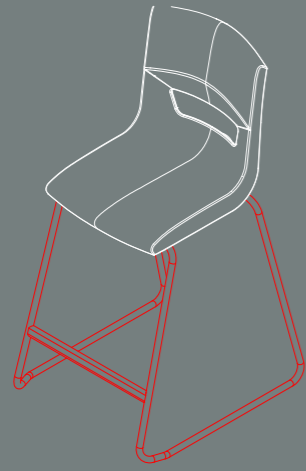
● Shell

● Frame



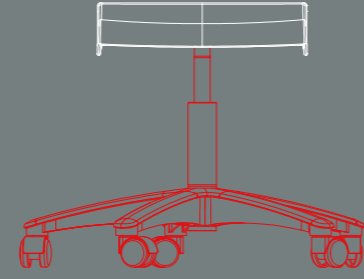
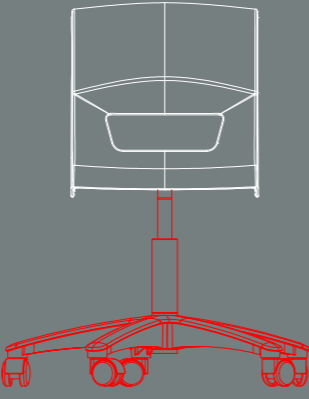
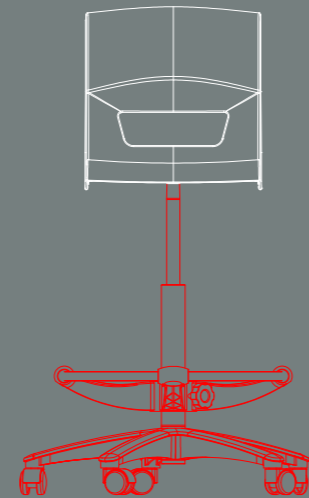
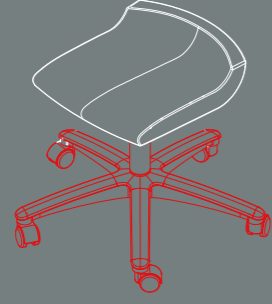
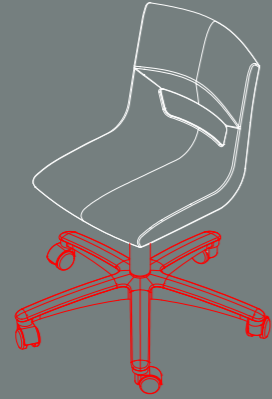
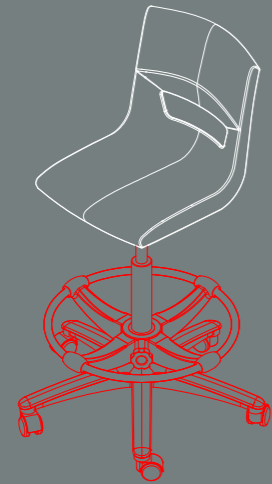
Frame ● Shell ●

postura +



Frame ● Shell ●

postura +



Overall Width
580mm

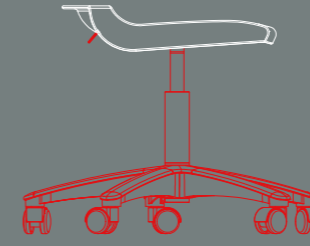
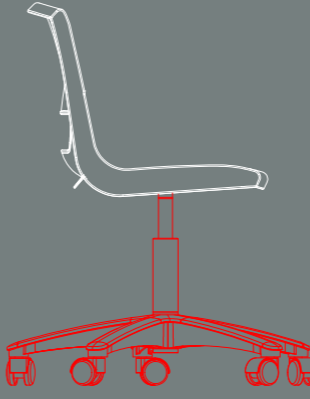
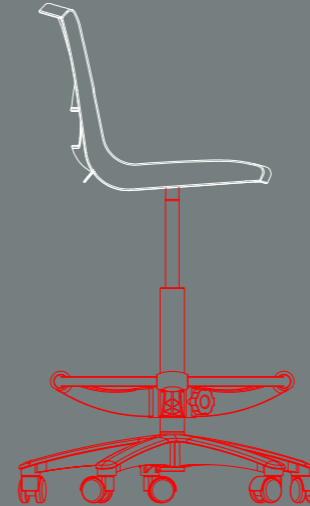
Overall Height
990-1150mm (glides)

Overall Width
580mm

Overall Height
730-835mm (glides)
750-855mm (castors)

Overall Width
580mm

Overall Height
440-545mm (glides)
460-565mm (castors)



Overall Depth
580mm

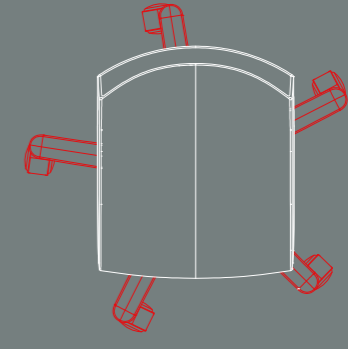
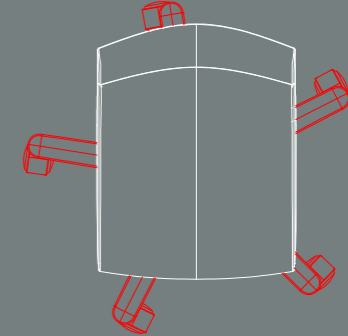
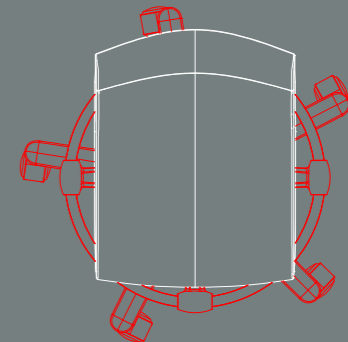
Overall Depth
580mm

Overall Depth
580mm

Seat Height
575-870mm (glides)

Seat Height
358-468mm (glides)
383-493mm (castors)

Seat Height
358-468mm (glides)
383-493mm (castors)



Seat Width
365mm

Seat Width
365mm

Seat Width
365mm

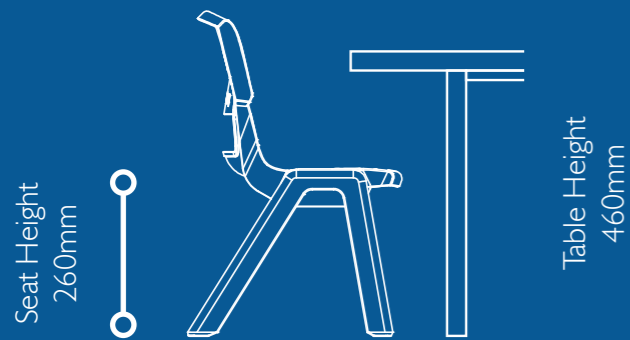
Seat Depth
370mm

Seat Depth
370mm

Seat Depth
370mm

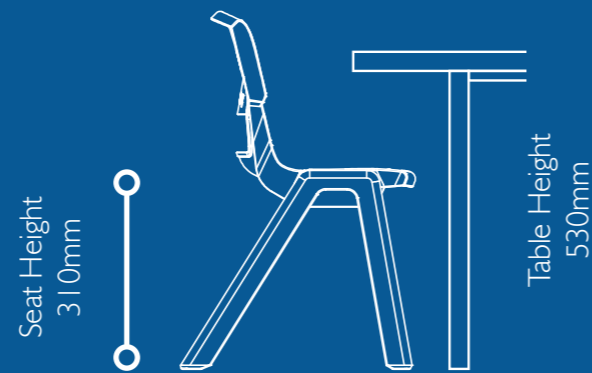
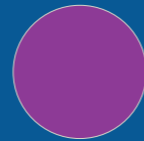
Specifications

EN1



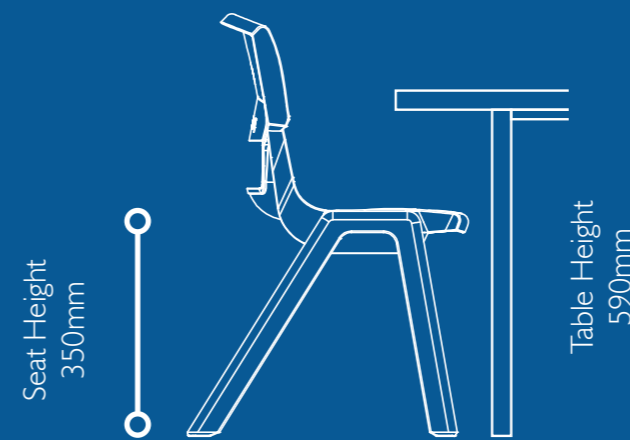
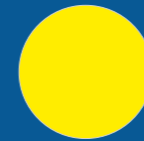
Popliteal Height Range
250-280mm
Stature Range
930-1150mm
Age Range
3-4

EN2



Popliteal Height Range
280-315mm
Stature Range
1080-1210mm
Age Range
4-6

EN3



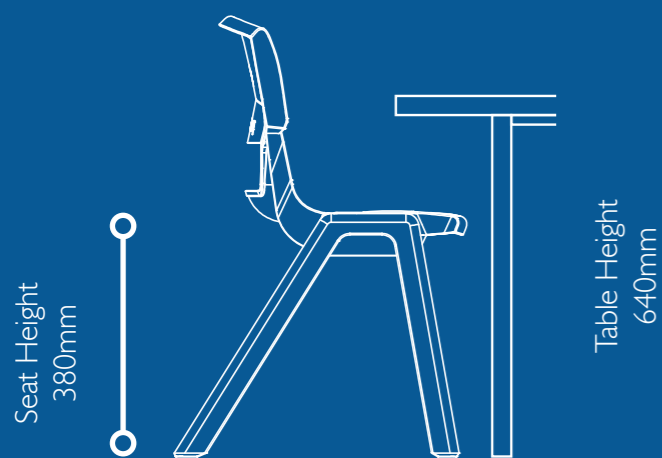
Popliteal Height Range
315-355mm
Stature Range
1190-1420mm
Age Range
6-8

In January 2007, British and European Standards were established for educational institutions.' BS EN 1729 Part 1 ensures that furniture meets appropriate size, shape, and ergonomic design to promote good posture and reduce RSI and back pain in students. This guide includes size marks for fixed seat and table heights suitable for students of different ages.

The correct seat height is determined by measuring the popliteal height, which is the distance from the floor to the back of the knee when seated with thighs horizontal and lower leg vertical with feet flat on the floor. This measurement is useful in determining the compatible size for existing or older furniture that does not comply with BS EN 1729. Stature is measured from the floor to the top of the head.

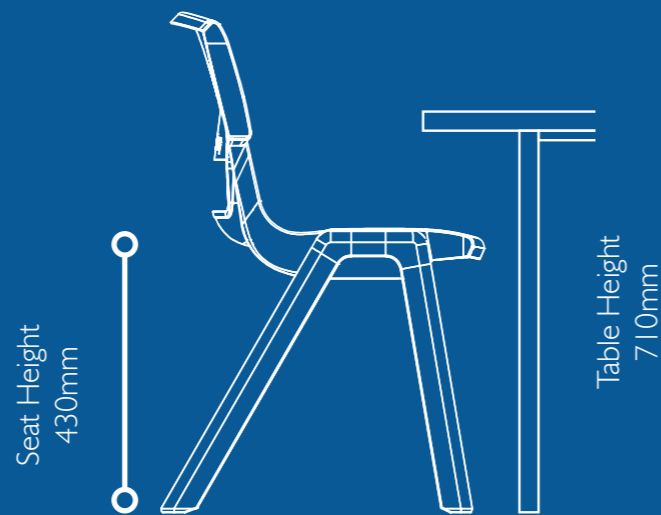
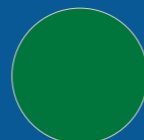
It's crucial that table size marks align with chair and stool size marks. EN chairs should ideally match EN tables, ensuring a harmonious and ergonomic environment for students.

EN4



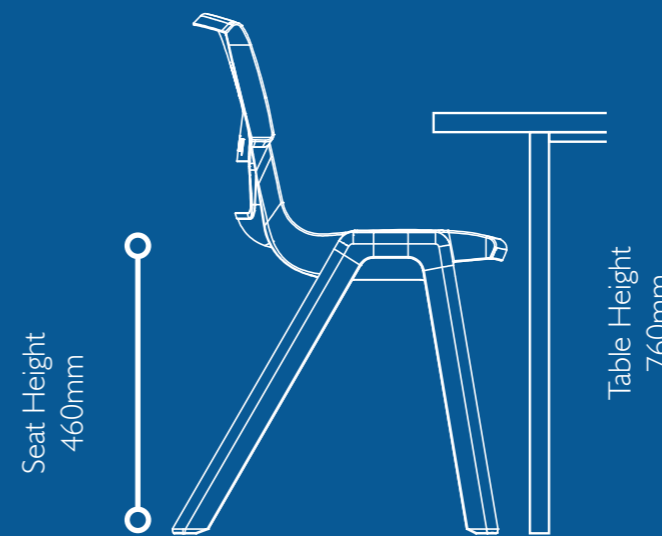
Popliteal Height Range
355-405mm
Stature Range
1330-1590mm
Age Range
8-11

EN5



Popliteal Height Range
405-435mm
Stature Range
1460-1765mm
Age Range
11-14

EN6



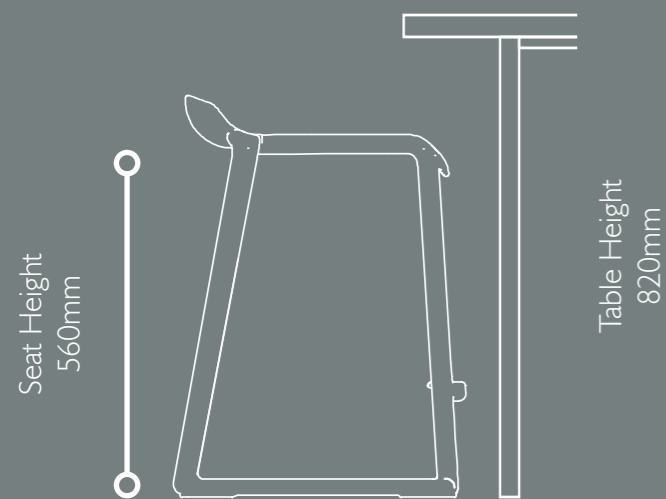
Popliteal Height Range
435-485mm
Stature Range
1590-1880mm
Age Range
14-Adults

Perfect Fit

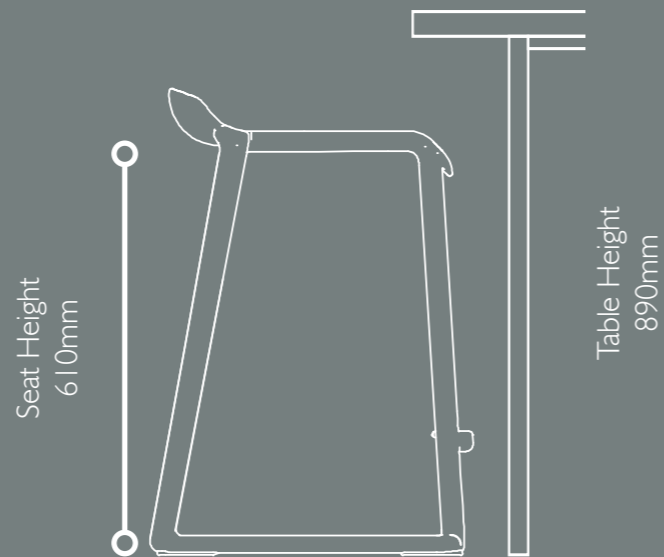
EN4

EN5

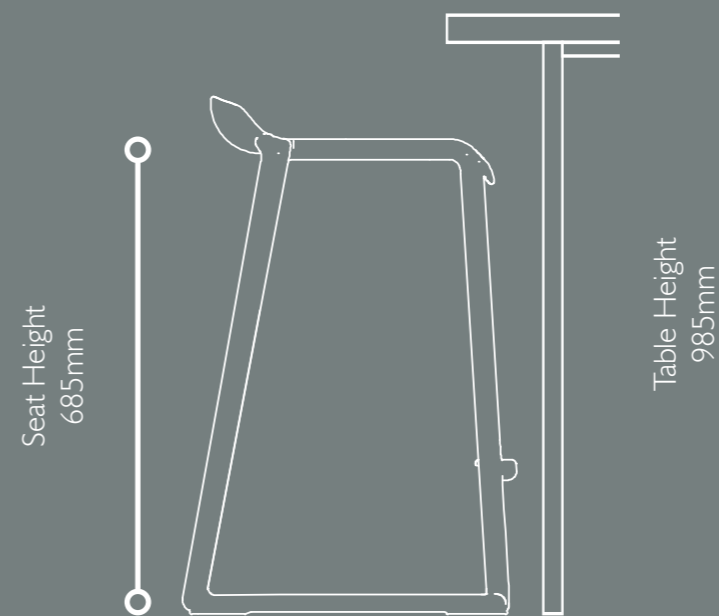
EN6



Foot Rail Height
380mm
Popliteal Height Range
355-405mm
Stature Range
1330-1590mm
Age Range
8-11



Foot Rail Height
430mm
Popliteal Height Range
405-435mm
Stature Range
1460-1765mm
Age Range
11-14



Foot Rail Height
460mm
Popliteal Height Range
435-485mm
Stature Range
1590-1880mm
Age Range
14-Adults



55

56



Environmental Overview



Environmental Product Declaration

Download the cradle-to-grave Environmental Product Declaration (EPD) for KI's Postura chair Size 6. The EPD is based on production information and data collected by KI in 2020. It was modelled using SimaPro 9.0.0.24 and data from Ecoinvent version 3.5.

Materials Information

- Polypropylene chairs & shells:
- Jet Black One Piece Chairs and Postura+ shells: 100% recycled polypropylene, with 3% colour masterbatch
 - All other One Piece Chairs: minimum 50% recycled polypropylene
 - All other Postura+ shells: 30% recycled polypropylene
 - One Piece Stools: made from glass filled polypropylene, with a minimum 30% recycled polypropylene
 - All Postura+ chairs & shells: 100% recyclable

Frames & bases:

- High & Low Back Stool frames: 27% recycled steel
- Reverse Cantilever & 4 Leg on Castors frames: 20% recycled steel
- Powder coated steel frames: 100% recyclable
- Glides: 100% nylon, 100% recyclable
- Task Chair & Task Stool nylon base: 100% recycled nylon and 100% recyclable*
- Chrome task base: 100% recyclable*
- Seat pads: 4mm foam fixed with adhesive onto plywood shell, fabric secured by C-Gex with bias banding

*Task bases are made of mixed materials (nylon & chrome; gas columns, castors & glides), and may need to be separated for recycling; gas lifts must be depressurised and drained of oil

Additional Information

KI (UK) Ltd Rights & Warranties

Polypropylene chairs & seats shells: 20-year warranty.

Metal frames, task bases & gas columns: 5-year warranty.

High wear parts such as fabrics, other covering material/finishes, foam, castors, glides and gas lifts: 1-year warranty.

For detailed information, please visit our website: <https://www.kieurope.com/customer-service/legal-privacy/warranties>

Certifications & Standards

- **Indoor Advantage Gold™ – Furniture:** All Postura+ products have been independently assessed by SCS Global Services and certifies for low volatile organic compound (VOC) emissions. This certification aligns with ANSI/BIRMA m7.1, X7.1 and CA01350. It contributes to LEED low emitting materials credits and WELL Credit 04 for VOC reduction.
- **BS EN 1729: Sizing & dimensions** – Chairs and tables for educational institutions. Postura+ one piece chairs are certified to this standard.
- **BS EN 1729: Strength & stability** – Chairs and tables for educational institutions. All Postura+ products are certified to this standard.

- **BS EN 16139: Strength & stability** – severe contract use.
- **BS 5852 Ignition Source 0 & 1 Standard** stocked Postura+ One Piece Chairs in all sizes (1-6) are certified to this standard.
- **BS 5852 Ignition Source 0,1 & 5 Special order** Postura+ One Piece Chairs with FR additive and MOQ requirements, in all sizes (1-6) are certified to this standard.

Suitable for projects aiming to achieve SKA, BREEAM, WELL, LEED v4 and more.

User Weight Loading

Postura+ One Piece chairs & stools weight limits by size:

Size 1: 130kg

Size 2 & 3: 160kg

Size 4, 5 & 6: 200kg

Design Resources

For image libraries, certificates, CAD/Revit models and more resources, please visit [kieurope.com/postura](https://www.kieurope.com/postura)

Care & Maintenance Instructions

Maintaining the appearance and finish of your product is best achieved through proper care and cautious use.

Polypropylene shells:

For regular cleaning of Shells use a soft cloth with mild soap or detergent and lukewarm water. Avoid solvents, citrus/orange-based cleaners or heavy-duty kitchen cleaners. Stubborn spots like chewing gum can be removed using cigarette lighter fluid. Wipe dry immediately. To restore lustre to smooth surfaces and perform light cleaning, a general non-abrasive all-purpose cleaner is recommended. Its anti-static properties help repel dust and dirt. High quality wax can be used to restore lustre and provide protective coating.

Powder coated & chrome metal frames:

Remove chewing gum and stubborn spots

with lighter fluid, wipe dry immediately. It is advisable to protect frames from water, rain, ice, snow and salt exposure.

For gloss finish: use a silicon based spray polish for cleaning.

Thin surface scratches can be addressed by wiping with thinners (apply onto a soft cloth, not directly on the surface) or spraying with clear lacquer.

Deep scratches should be sanded with emery paper, cleaned and repainted using appropriate spray gloss/matte paint.

Note: colour matching is crucial. Spray onto white photocopy paper and check the colour before applying.

Vinyl Fabric:

For cleaning, use normal dishwashing liquid with warm water and a soft cloth. Dry the fabric with a clean, soft cloth.

Polyester & Wool Fabric:

For wet stains use dry carpet pellets or powder. Apply them to the stain, allow them to dry and then brush off or vacuum.

For dry stains use standard upholstery cleaner foam. Lightly spray the foam over the stain, let it sit for 5 minutes and then brush it off.

Packaging & Shipping

Wooden pallets: reusable and recyclable

Shrink wrap: recyclable & made from 30% recycled plastic

Banding: recyclable

| Product | Units per box | Units per pallet | Pallet weight* | Pallet dimensions* (mm, L x W x H) |
|---------------------------------|---------------|------------------|----------------|------------------------------------|
| One Piece Chair Size 1 | 6 | 120 | 188.0kg | 1000 x 1200 x 2170 |
| One Piece Chair Size 2 | 6 | 120 | 202.0kg | 1000 x 1200 x 2170 |
| One Piece Chair Size 3 | 4 | 68 | 178.0kg | 1000 x 1200 x 2280 |
| One Piece Chair Size 4 | 4 | 68 | 180.0kg | 1000 x 1200 x 2280 |
| One Piece Chair Size 5 | 3 | 56 | 220.5kg | 1000 x 1200 x 2190 |
| One Piece Chair Size 6 | 3 | 56 | 232.5kg | 1000 x 1200 x 2190 |
| One Piece Stool Low Back 560mm | 1 | 16 | 101kg | 1000 x 1200 x 1060 |
| One Piece Stool Low Back 610mm | 1 | 16 | 104kg | 1000 x 1200 x 1110 |
| One Piece Stool Low Back 685mm | 1 | 16 | 126kg | 1000 x 1200 x 1190 |
| One Piece Stool High Back 560mm | 1 | 16 | 113kg | 1000 x 1200 x 1340 |
| One Piece Stool High Back 610mm | 1 | 16 | 116kg | 1000 x 1200 x 1390 |
| One Piece Stool High Back 685mm | 1 | 16 | 137kg | 1000 x 1200 x 1465 |
| High Back Stool | 1 | 16 | 115.0kg | 1000 x 1200 x 2000 |
| Low Back Stool | 1 | 20 | 131.0kg | 1000 x 1200 x 2000 |
| Low Back Task Chair | 1 | 16 | 123kg | 1000 x 1200 x 2000 |
| Task Stool | 1 | 8 | 62kg | 1000 x 1200 x 1100 |
| High Back Task Chair | 1 | 16 | 123kg | 1000 x 1200 x 2000 |
| Reverse Cantilever | 1 | 16 | 108kg | 1000 x 1200 x 2000 |
| 4 Leg on Castors | 1 | 16 | 137kg | 1000 x 1200 x 2000 |

* All Weights and dimensions are approximate.

Weights

| Product | Product Weight | Weight with Seat Pad | Max User Weight |
|---|----------------|----------------------|-----------------|
| One Piece Size 1 | 1.43kg | - | 132kg |
| One Piece Size 2 | 1.53kg | - | 163kg |
| One Piece Size 3 | 2.34kg | 3.34kg | 163kg |
| One Piece Size 4 | 2.42kg | 3.42kg | 204kg |
| One Piece Size 5 | 3.6kg | 4.6kg | 204kg |
| One Piece Size 6 | 3.73kg | 4.73kg | 204kg |
| One Piece Stool Low Back 560mm | 4.4kg | N/A | 204kg |
| One Piece Stool Low Back 610mm | 4.6kg | N/A | 204kg |
| One Piece Stool Low Back 685mm | 4.8kg | N/A | 204kg |
| One Piece Stool High Back 560mm | 5.3kg | N/A | 204kg |
| One Piece Stool High Back 610mm | 5.6kg | N/A | 204kg |
| One Piece Stool High Back 685mm | 5.9kg | N/A | 204kg |
| Reverse Cantilever | 4.4kg | 5.4kg | 204kg |
| 4 Leg on Castors | 4.25kg | 5.25kg | 204kg |
| Low Back Stool 560mm | 4.7kg | 5.7kg | 204kg |
| Low Back Stool 610mm | 5.1kg | 6.1kg | 204kg |
| Low Back Stool 685mm | 5.5kg | 6.5kg | 204kg |
| High Back Stool 560mm | 5.1kg | 6.1kg | 204kg |
| High Back Stool 610mm | 5.5kg | 6.5kg | 204kg |
| High Back Stool 685mm | 5.9kg | 6.9kg | 204kg |
| High Back Task Chair with castors & nylon base | 6.0kg | 7.0kg | 204kg |
| High Back Task Chair with glides & nylon base | 6.0kg | 7.0kg | 204kg |
| High Back Task Chair with castors & chrome base | 7.1kg | 8.1kg | 204kg |
| High Back Task Chair with glides & chrome base | 7.1kg | 8.1kg | 204kg |
| High Task Chair with castors & nylon base | 9.4kg | 10.4kg | 204kg |
| High Task Chair with glides & nylon base | 9.4kg | 10.4kg | 204kg |
| High Task Chair with castors & chrome base | 10.5kg | 11.5kg | 204kg |
| High Task Chair with glides & chrome base | 10.5kg | 11.5kg | 204kg |
| Low Back Task Chair with castors & nylon base | 5.5kg | 6.5kg | 204kg |
| Low Back Task Chair with glides & nylon base | 5.5kg | 6.5kg | 204kg |
| Low Back Task Chair with castors & chrome base | 6.6kg | 7.6kg | 204kg |
| Low Back Task Chair with glides & chrome base | 6.6kg | 7.6kg | 204kg |



KI (UK) Ltd
91 Goswell Road,
London,
United Kingdom,
EC1V 7EX

kieurop.com
020 7404 7441
info@kieurop.com