

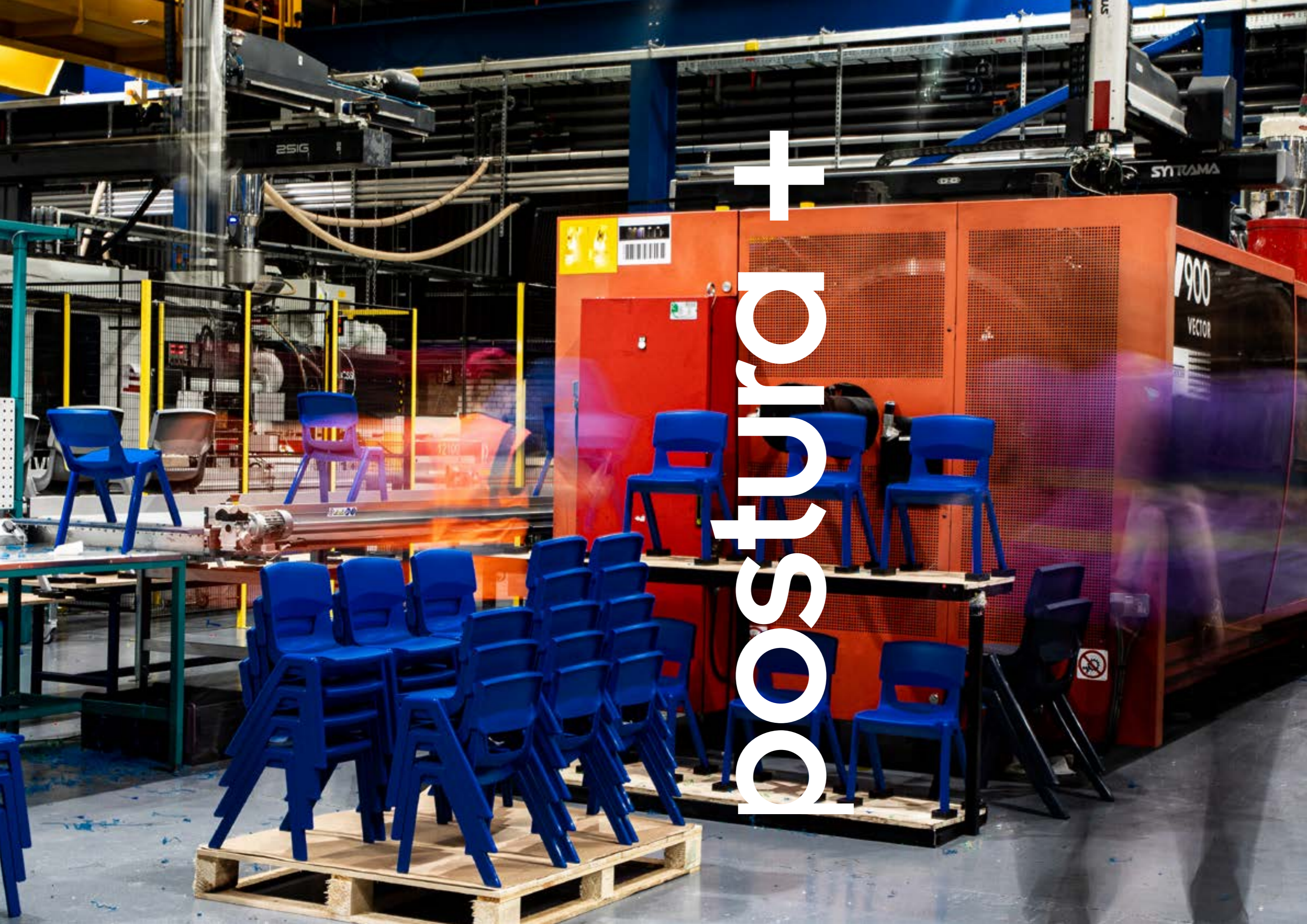


# postura +



20  
25

Brochure



+ portfolio

# CONTENTS

Leading The Way	1
The Most Trusted Name In Education	3
The All-round Performer	5
Seating Collection	8
One Piece Collection	12
One Piece Chair	14
Chair Size Guide	15
One Piece Stool	18
Mixed Material Collection	22
Colour Collection	31
Upholstery Options	43
Specifications	45
Perfect Fit	54
Environmental Overview	57
Additional Information	59



# Leading- Way To A Sustainable Future



“Our customers across the UK and Europe want to reduce their environmental impact without compromising quality or incurring unrealistic costs. Postura+ is a fantastic step in the right direction and we’re confident our customers will be enthusiastic about this great achievement.”

Alison Mallett,  
Director of Education Furniture

Postura+ one piece chairs are made with at least 30% recycled polypropylene with plans to increase this to 50%, and ultimately 80-100% in the future.

The Postura+ one piece stools are made from glass filled polypropylene, with a minimum 30% recycled polypropylene too.

Our recycled plastic comes from a UK-based supply chain of waste plastic from the food industry. Over 600 tonnes of this is used in the standard production process a year, the equivalent to 2 million food containers. The 30% recycled polypropylene chairs and stools have been rigorously tested and achieved the same certifications and standards as fully virgin plastic chairs with a 20-year warranty remaining in place.



# The Most Trusted Name In Education

Postura+ is durable, low maintenance, and comfortable and designed for education environments. Created in Australia in the 1990s, it quickly gained popularity in the UK and has since been locally manufactured to meet growing demand and European standards.

The Postura+ collection helps create high performing learning spaces that support students' full potential with its versatile and specialist seating products. Its ergonomic design enhances concentration and comfort, making it excellent value for money by reducing procurement, repair and installation costs. Postura+ is backed by several certifications and a 20 year warranty and is used by millions of students worldwide.





# The All-around Performer



Furniture is crucial in creating optimal learning spaces. Classrooms that once catered to one teaching style are now evolving into problem-solving and collaborative environments. The learning space must be flexible to adapt to the needs of teachers and students.

Postura+ is the ideal solution for any budget and space, providing comfort, durability and practicality. Its ergonomic design enhances concentration and wellbeing, while its high-quality materials make it durable and easy to move. Plus, it's 100% recyclable and suitable for occasional outdoor use.



# Seating Collection



Optional chrome task base with castors or glides



Anti-static and anti-rocking for student safety



Non Marking Glides



Integrated grab handle

Extra-large lower back ventilation



Link chairs available in size 5 & 6 for connected seating arrangements



Wide foot rail for comfort and accessibility



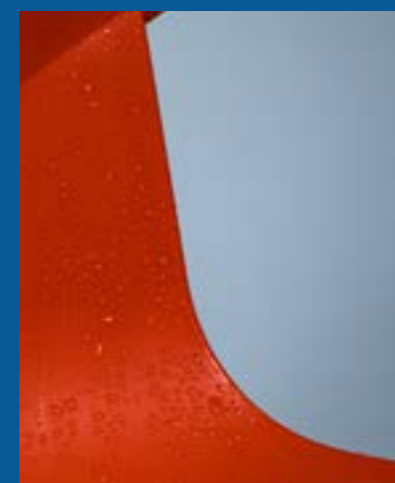
Waterfall seat edge



Flexible backrest



Chairs Stackable to 12 on floor or trolley



Built-in UV filter for outdoor use



Glass fibre glides to protect floors & frame



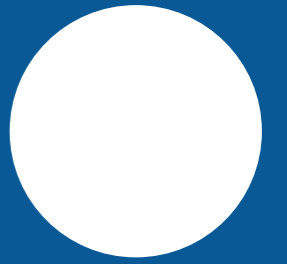
Powder coated steel tube legs



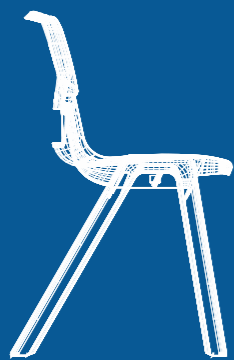
Black nylon task base with castors or glides



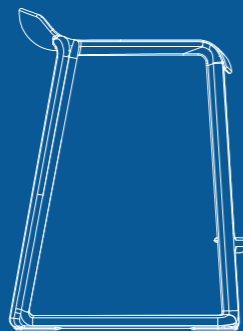
Polypropylene Shell



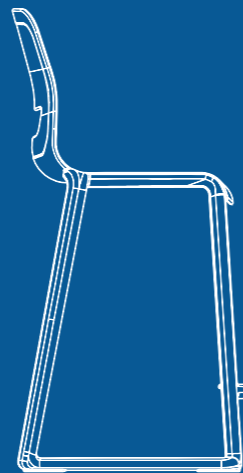
# One Piece Collection



One Piece Chair



Low back Stool



High back Stool





A one piece injection-moulded polypropylene chair, available in 6 sizes and stackable up to 12 high.

- Optional link clip (size 5 & 6)
- Optional transport trolley
- Upholstered seat option available (size 3-6)

# One Piece Chair

# Chair Sizing Guide

On Postura+ chairs you can find a colour-coded sticker on the top side of the backrest that corresponds to the table above. The example (below left) shows a blue sticker, so the chair can be identified as a Ash Grey size mark 6 chair.

Size Mark	Colour Code	Seat Height	Seat Width	Seat Depth	Overall Height	Overall Width	Overall Depth	Weight (no seatpad)	Stack Height (12)
1	●	260mm	280mm	250mm	500mm	360mm	330mm	1.43kg	1365mm
2	●	310mm	280mm	250mm	550mm	360mm	365mm	1.53kg	1413mm
3	●	350mm	340mm	310mm	645mm	430mm	420mm	2.34kg	1594mm
4	●	380mm	340mm	310mm	675mm	430mm	440mm	2.42kg	1627mm
5	●	430mm	380mm	370mm	760mm	480mm	505mm	3.60kg	1834mm
6	○	460mm	380mm	370mm	790mm	480mm	525mm	3.73kg	1850mm



**NEW**  
For 2025



The Postura+ range has expanded to include One Piece Stools. With the same ergonomics and durability as our chairs, these low and high back stools are built for practical learning environments where comfort and safety is priority.

- Made from glass filled polypropylene and a minimum of 30% recycled polypropylene
- One piece injection moulded meaning no loose parts
- Slim, sled base design
- Non-marking built in glides, suitable for non-slip floors
- Anti-static, stain resistant and easy to clean
- Wide foot rail for comfort and accessibility
- Stackable up to 5 high
- 20 colour options
- 20-year warranty

# One Piece Stool

18

## High Back One Piece Stool



Featuring a curved backrest for better lumbar support and superior flexibility to maximise comfort, built-in window providing better ventilation and large footrest for long seated periods.

Certified Strength:

- BS EN 1729-2:2023 certified
- BS EN 1729-1:2015 compliant
- 3 heights available

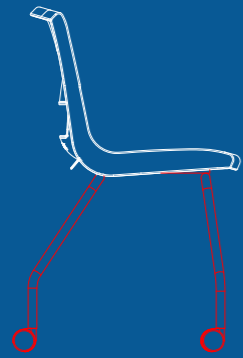
## Low Back One Piece Stool



A backless stool option with a large footrest for long seated periods.

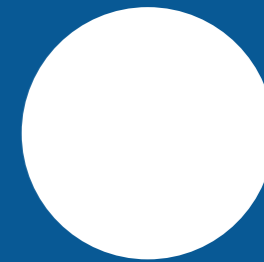
Certified Strength:

- BS EN 1729-2:2023 certified
- BS EN 1729-1:2015 certified
- 3 heights available

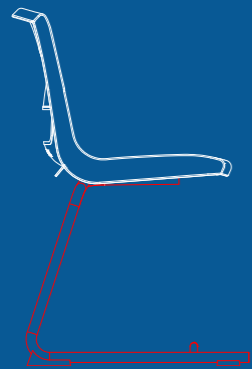
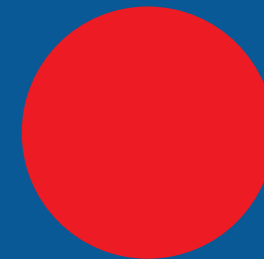


4 Leg  
On Castors

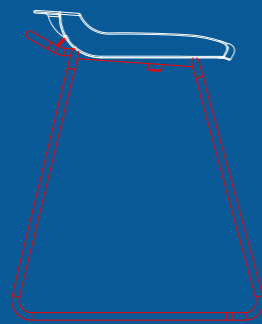
Polypropylene Shell



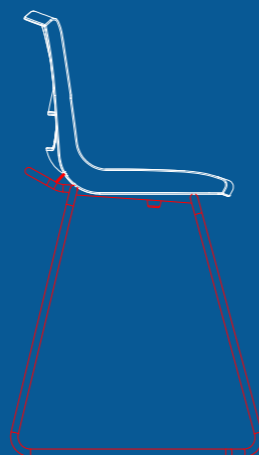
Frame



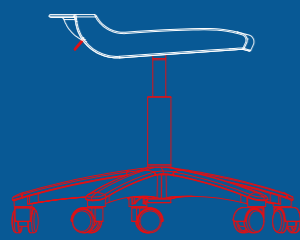
Reverse  
Cantilever



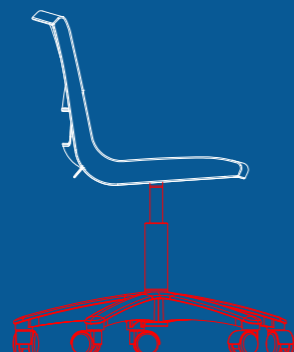
Low Back  
Stool



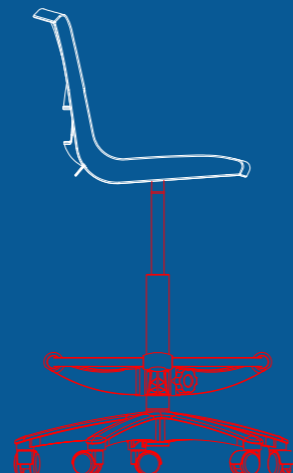
High Back  
Stool



Low Back  
Task Chair



High Back  
Task Chair



Task  
Stool

# Mixed Material Collection



## 4 Leg On Castors

A mobile version of the classic 4 leg postura+ chair with 4 legs and castors for easy movement.



## Reverse Cantilever

The Reverse Cantilever Chair matches the industry leading comfort and durability of our iconic one piece chair, but in a sleek two piece design. Available in 2 sizes.



## Low Back Stool

A stool available with footrest for added comfort and glass fibre glides to protect floors and frames. Available in 3 sizes with an integrated bag hook/grab handle.



## High Back Stool

A high back stool available in 3 sizes which comes with glass fibre glides to protect floors and frames. The sled base design comes with an integrated bag hook/grab handle.





## Low Back Task Chair

A low back task chair with a height adjustable gas column for added flexibility.



## High Back Task Chair

A task chair with a height adjustable gas column for added flexibility.



## Task Stool

A task stool with height adjustable gas column for added flexibility and chrome footrest for comfort.





# Colour Collection

Custom Colour



We offer customisation options for both polypropylene and metal frame colours, subject to minimum order quantities and additional surcharges.

To ensure accurate colour matching, we require Pantone or RAL references. Custom polypropylene colours require a minimum order quantity of 300 units per size and colour.

Colour Range →

Pantone 692C

Pantone 7536C

Pantone 5507C

Pantone 645C

Rose Blossom

Light Sand

Muted

Hazy Jade

Powder Blue



Pantone 518C

Pantone 7531

Pantone 16-0220 TPX

Pantone 289C

Purple Haze

Misty Brown

Natural

Moss Green

Nordic Blue



Pantone 485

Pantone 7548C

Pantone 7728C

Pantone 2144C

Poppy Red

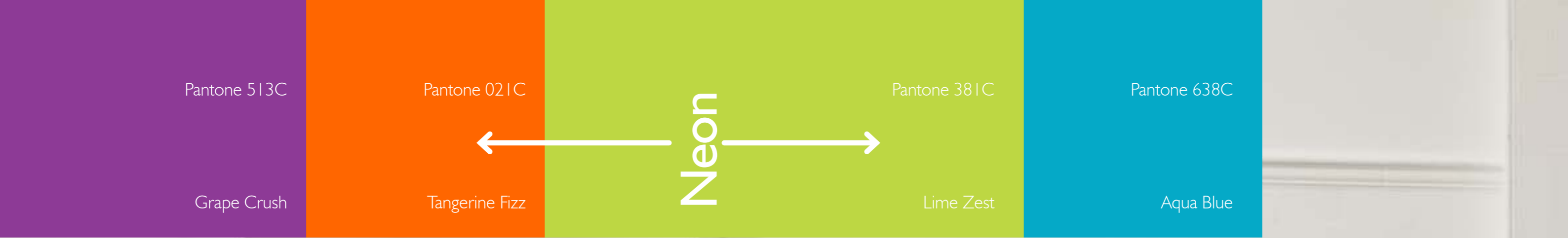
Sun Yellow

Forest Green

Ink Blue

Chroma







Pantone Black C

Jet Black

Pantone 4139C

Achromatic

Slate Grey

Pantone 10C

Iron Grey

Pantone 15-0000 TPX

Ash Grey



Band 1

Camira Fabrics  
Citadel  
Era  
Gravity  
Phoenix  
Revit

Band 2

Camira Fabrics  
Advantage  
Canopy  
Chateau  
Figaro  
Halcyon - Linden  
Honeycomb  
Mainline Flax  
Mainline Plus  
Manhattan  
Marvel  
Patina  
Sprint  
Urban  
Velocity  
Vita  
X2  
Xtreme  
Xtreme CS

Band 3

Chieftan Fabrics  
Just Colour (vinyl)

Camira Fabrics  
24/7+  
24/7 Flax  
Acrobat  
Aquarius  
Blazer  
Century  
Craggan  
Craggan Flax  
Halcyon - Aspen  
Halcyon - Blossom  
Halcyon - Cedar  
Halcyon - Poplar  
Hebden  
Hemp  
Hi-Tech  
Intervene Plain  
Intervene Texture

POA

Camira Fabrics  
Blazer Quilt Channel  
Blazer Quilt  
Hourglass  
Nettle Collection  
Synergy Hourglass  
Synergy Quilt  
Channel  
Synergy Quilt  
Chevron  
Vintage  
Zig Zag

Please confirm with your KI Account Manager for the most up-to-date fabric options, including additional fabric brands.



Tamper proof fixing

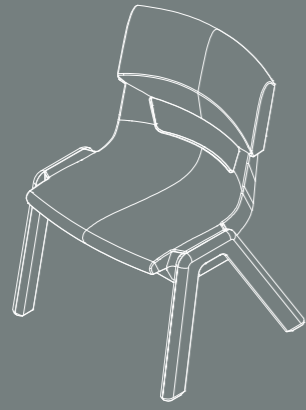


NB: Seat pads are available on all Postura+ products except for One Piece Chairs in sizes 1 & 2.

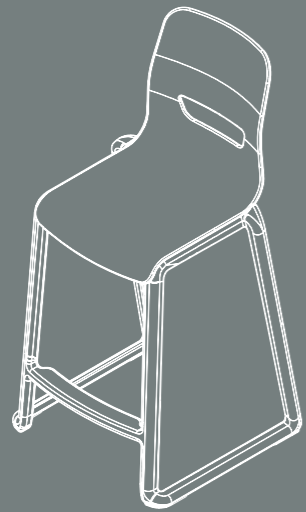
Minimum order of four seat pads apply

# Uphol- stery Options

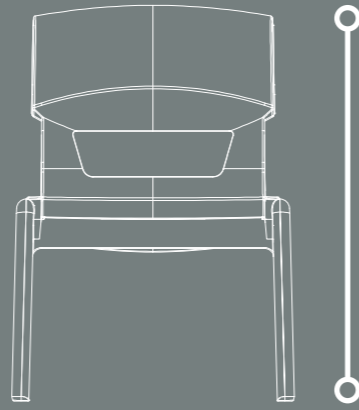
# postura +



See Page 17 for  
Chair Sizing Guide



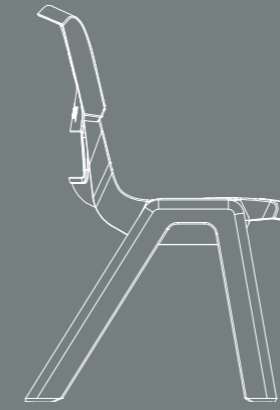
● Shell



Overall Width  
360mm - 525mm



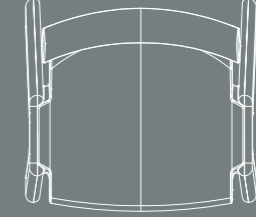
Overall Height  
500mm - 790mm



Overall Depth  
330mm - 525mm



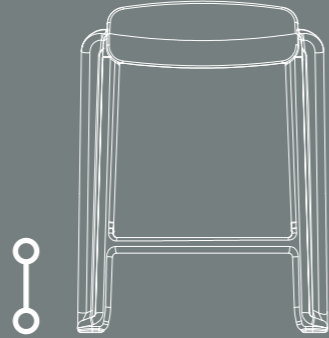
Seat Height  
260mm - 460mm



Seat Width  
280mm - 380mm



Seat Depth  
250mm - 370mm

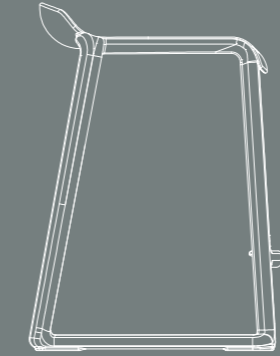


Overall Width  
482mm or 483mm or 485mm



Overall Height  
639mm or 689mm or 764mm

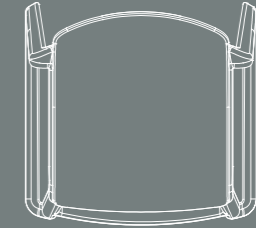
Foot Rail Height  
380mm or 430mm or 460mm



Overall Depth  
370mm



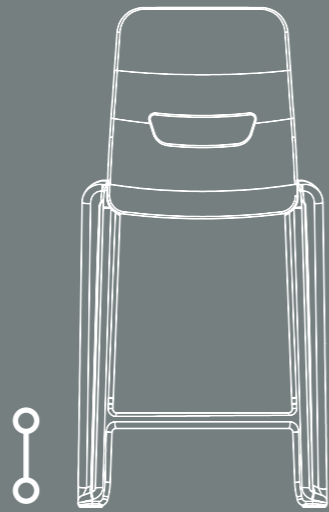
Seat Height  
560mm or 610mm or 685mm



Seat Width  
384mm



Seat Depth  
419mm

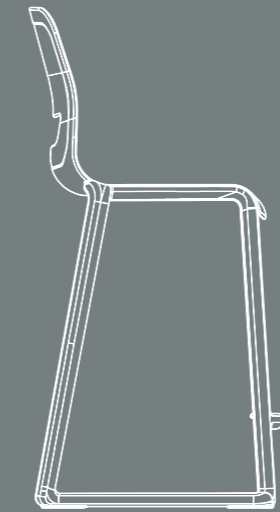


Overall Width  
482mm or 483mm or 485mm



Overall Height  
920mm or 970mm or 1045mm

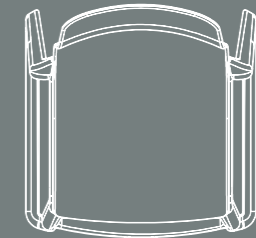
Foot Rail Height  
380mm or 430mm or 460mm



Overall Depth  
370mm



Seat Height  
560mm or 610mm or 685mm



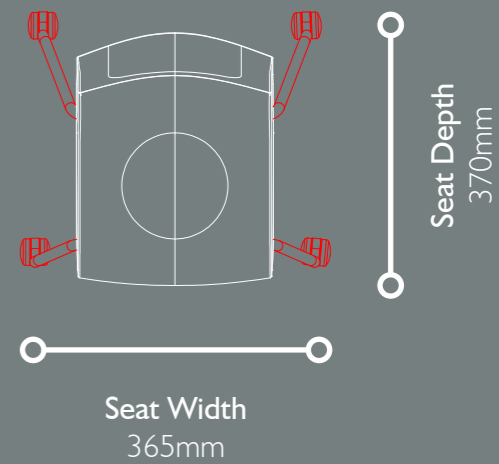
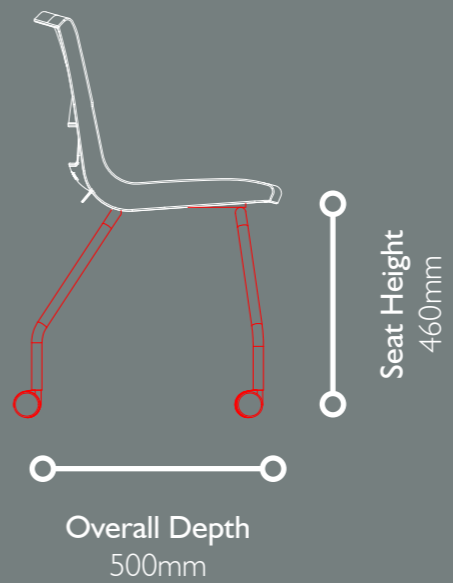
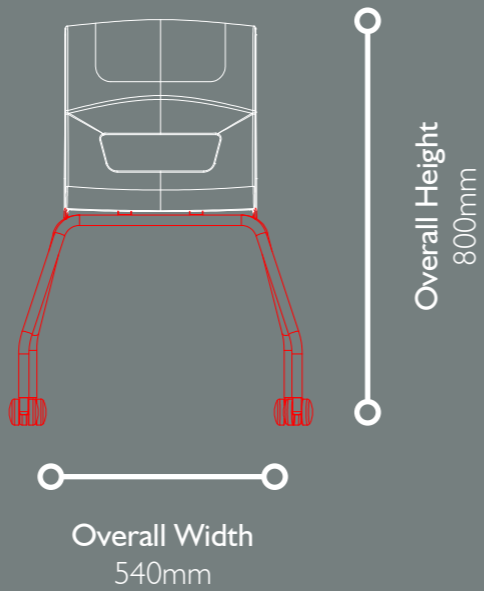
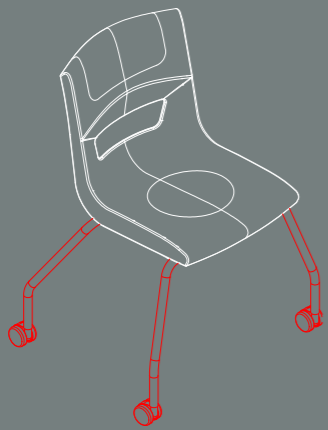
Seat Width  
384mm



Seat Depth  
458mm

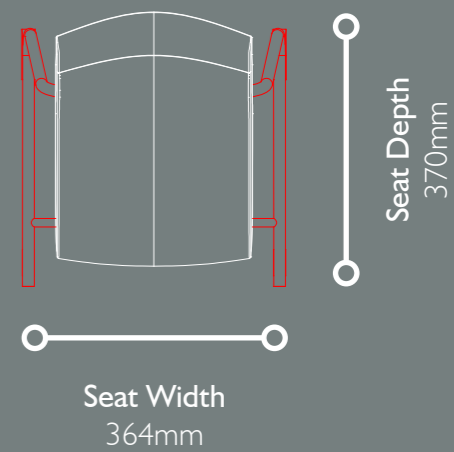
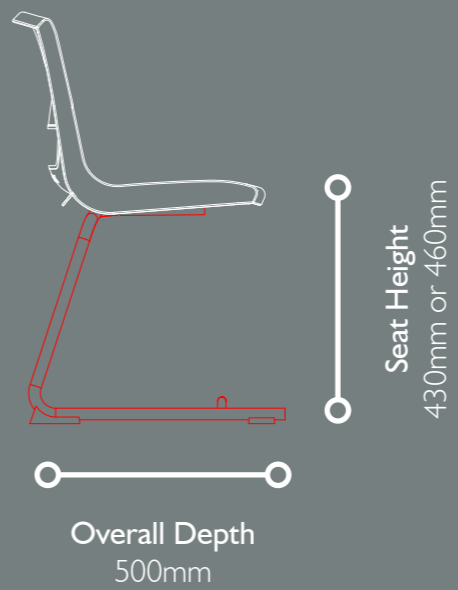
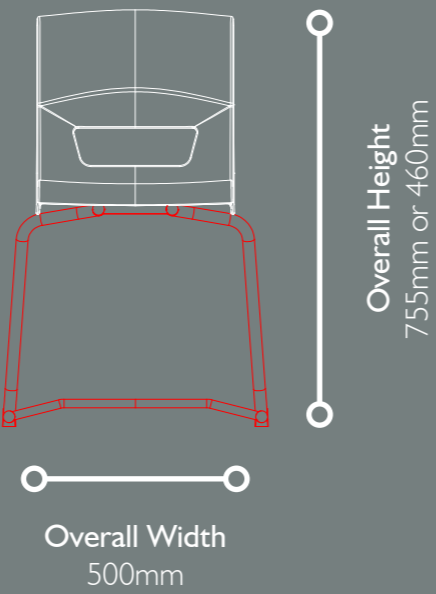
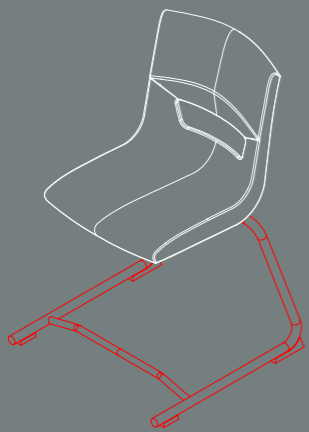
## Specifications

# postura +



● Shell

● Frame



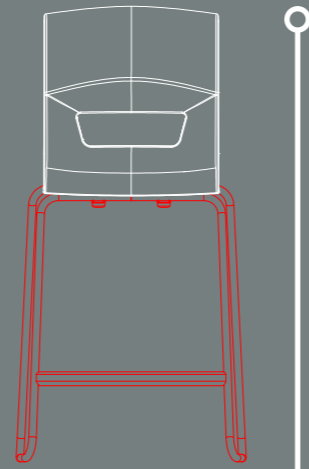
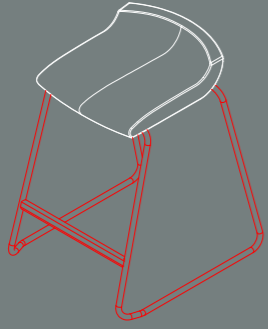
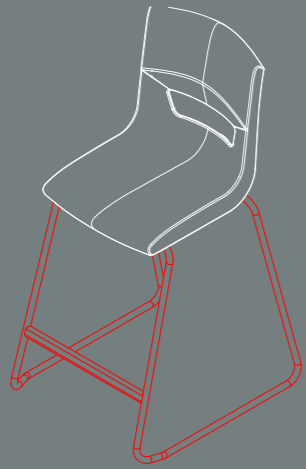
Frame



Shell



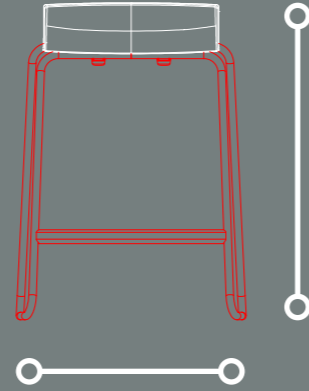
# postura +



Overall Width  
486mm



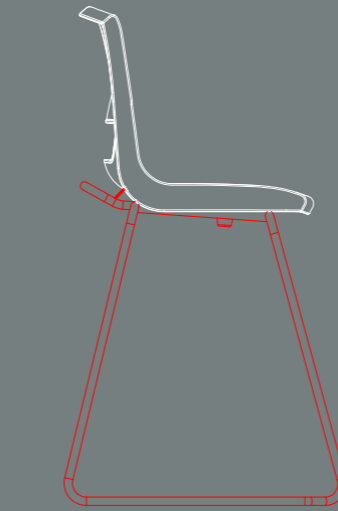
Overall Height  
895mm or 945mm or 1020mm



Overall Width  
486mm



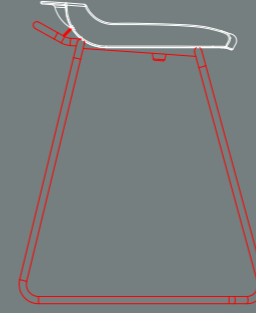
Overall Height  
605mm or 655mm or 730mm



Overall Depth  
542mm or 544mm or 562mm



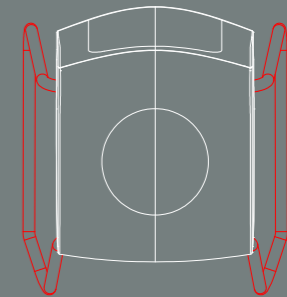
Seat Height  
560mm or 610mm or 685mm



Overall Depth  
542mm or 544mm or 562mm



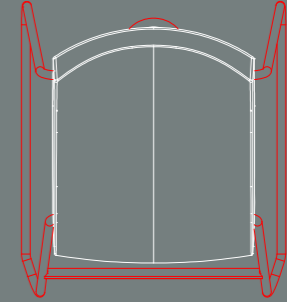
Seat Height  
560mm or 610mm or 685mm



Seat Width  
365mm



Seat Depth  
370mm



Seat Width  
365mm



Seat Depth  
370mm

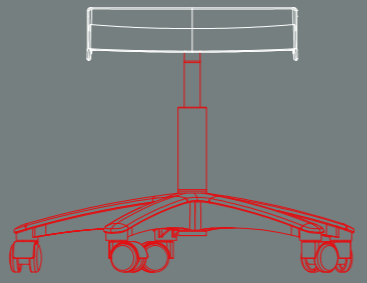
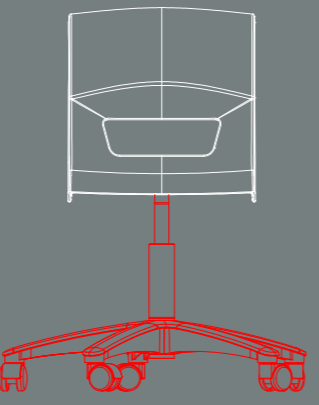
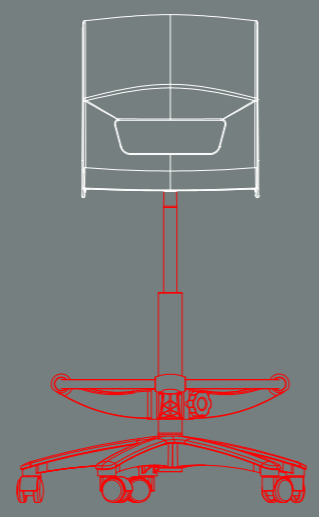
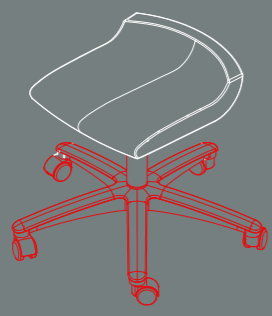
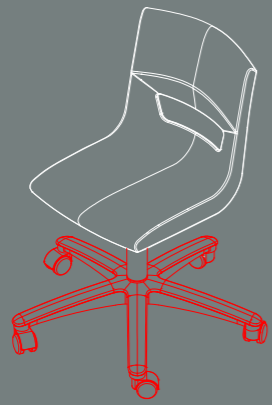
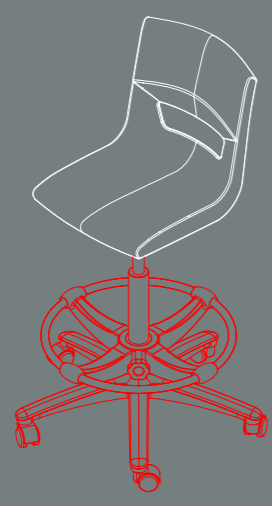
Frame



Shell



# postura +



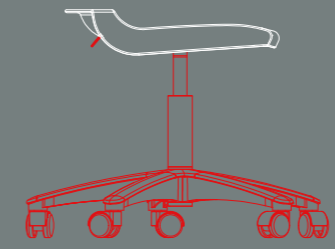
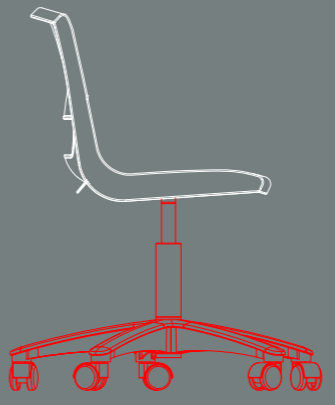
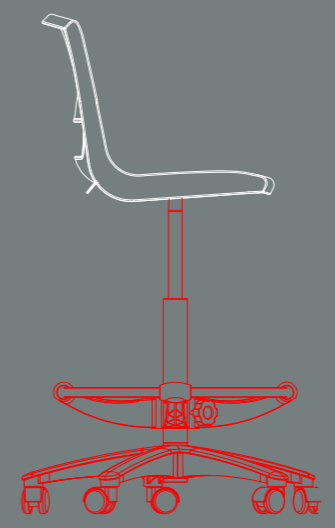
Overall Width  
580mm



Overall Height  
990-1150mm (glides)

Overall Height  
730-835mm (glides)  
750-855mm (castors)

Overall Height  
440-545mm (glides)  
460-565mm (castors)



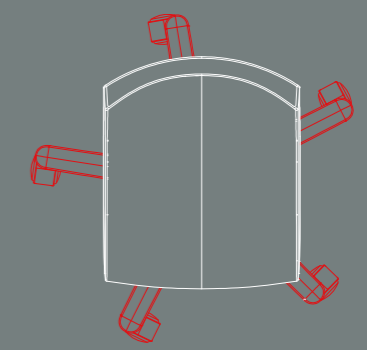
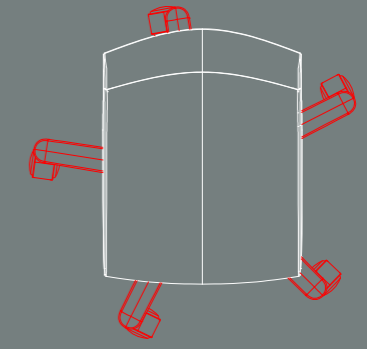
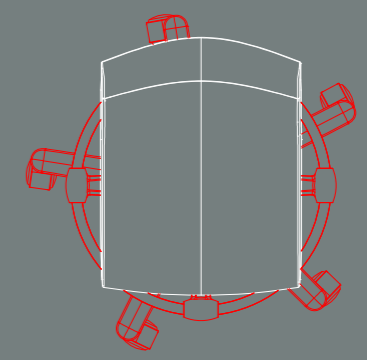
Overall Depth  
580mm



Seat Height  
575-870mm (glides)

Seat Height  
358-468mm (glides)  
383-493mm (castors)

Seat Height  
358-468mm (glides)  
383-493mm (castors)



Seat Width  
365mm

Seat Width  
365mm

Seat Width  
365mm



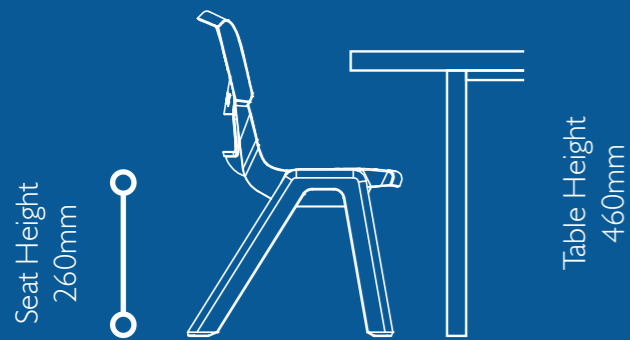
Seat Depth  
370mm

Seat Depth  
370mm

Seat Depth  
370mm

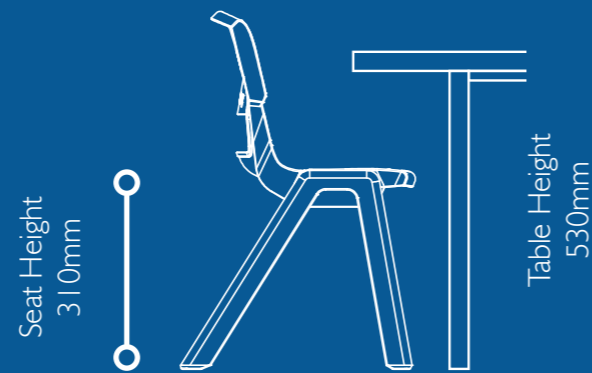
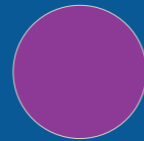
## Specifications

# EN1



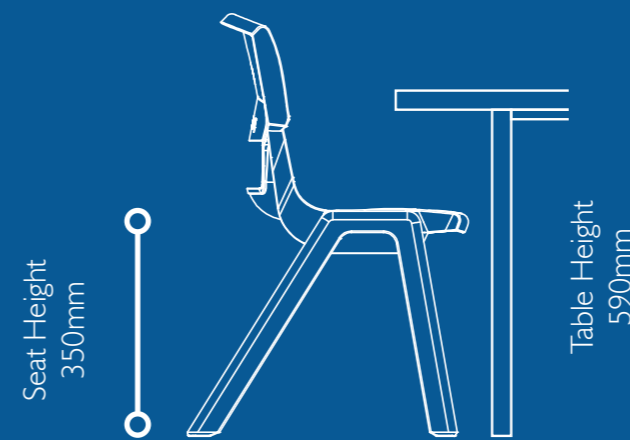
**Popliteal Height Range**  
250-280mm  
**Stature Range**  
930-1150mm  
**Age Range**  
3-4

# EN2



**Popliteal Height Range**  
280-315mm  
**Stature Range**  
1080-1210mm  
**Age Range**  
4-6

# EN3



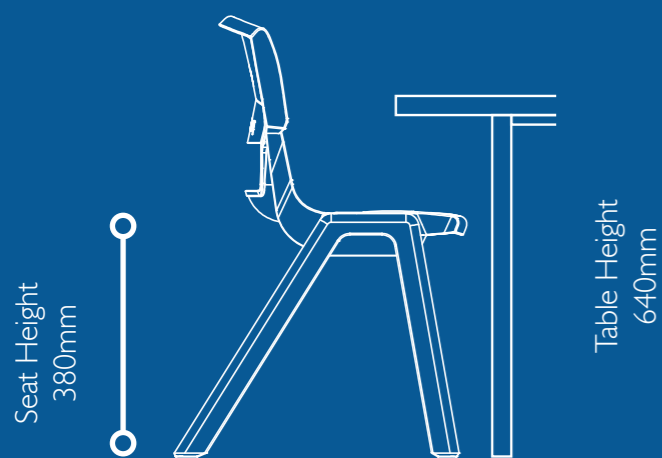
**Popliteal Height Range**  
315-355mm  
**Stature Range**  
1190-1420mm  
**Age Range**  
6-8

In January 2007, British and European Standards were established for educational institutions.' BS EN 1729 Part 1 ensures that furniture meets appropriate size, shape, and ergonomic design to promote good posture and reduce RSI and back pain in students. This guide includes size marks for fixed seat and table heights suitable for students of different ages.

The correct seat height is determined by measuring the popliteal height, which is the distance from the floor to the back of the knee when seated with thighs horizontal and lower leg vertical with feet flat on the floor. This measurement is useful in determining the compatible size for existing or older furniture that does not comply with BS EN 1729. Stature is measured from the floor to the top of the head.

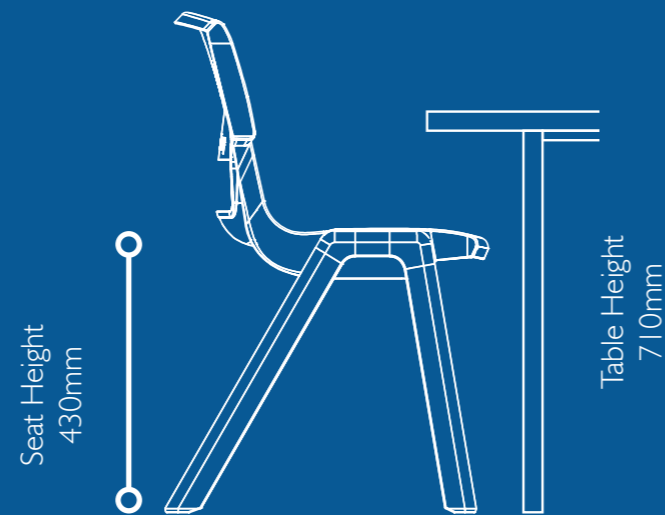
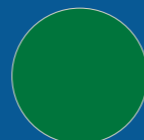
It's crucial that table size marks align with chair and stool size marks. EN chairs should ideally match EN tables, ensuring a harmonious and ergonomic environment for students.

# EN4



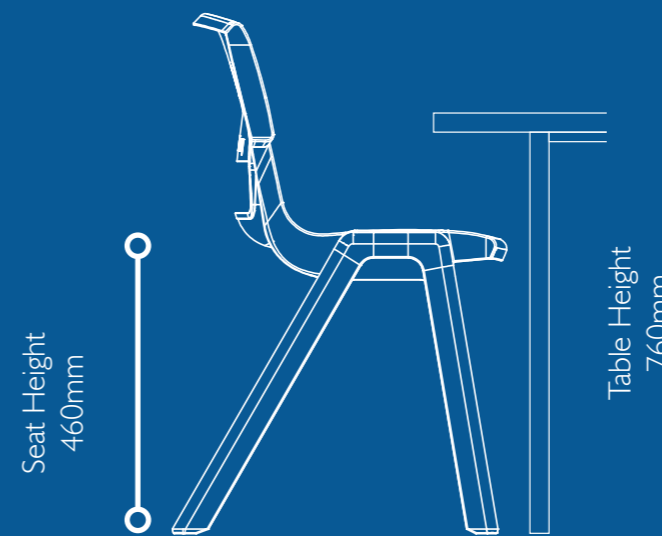
**Popliteal Height Range**  
355-405mm  
**Stature Range**  
1330-1590mm  
**Age Range**  
8-11

# EN5



**Popliteal Height Range**  
405-435mm  
**Stature Range**  
1460-1765mm  
**Age Range**  
11-14

# EN6



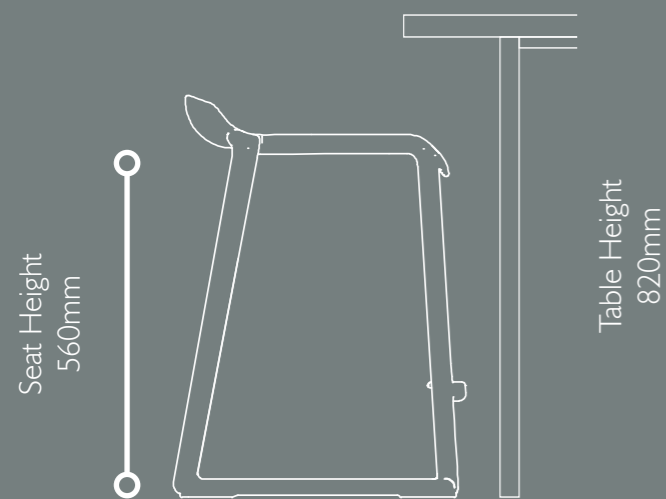
**Popliteal Height Range**  
435-485mm  
**Stature Range**  
1590-1880mm  
**Age Range**  
14-Adults

# Perfect Fit

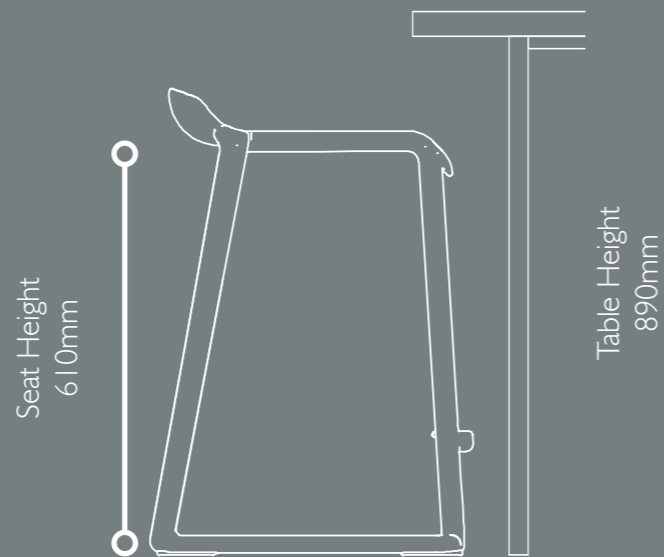
# EN4

# EN5

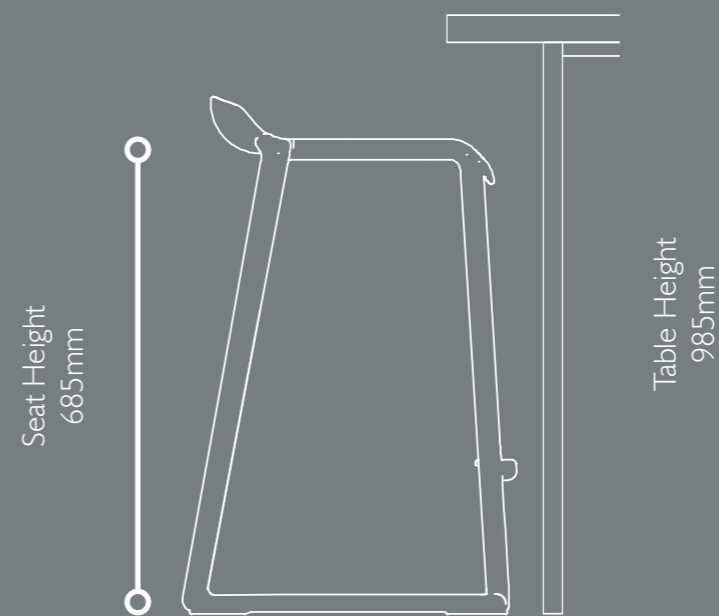
# EN6



**Foot Rail Height**  
380mm  
**Popliteal Height Range**  
355-405mm  
**Stature Range**  
1330-1590mm  
**Age Range**  
8-11



**Foot Rail Height**  
430mm  
**Popliteal Height Range**  
405-435mm  
**Stature Range**  
1460-1765mm  
**Age Range**  
11-14



**Foot Rail Height**  
460mm  
**Popliteal Height Range**  
435-485mm  
**Stature Range**  
1590-1880mm  
**Age Range**  
14-Adults





# Environmental Overview



### Environmental Product Declaration

Download the cradle-to-grave Environmental Product Declaration (EPD) for KI's Postura chair Size 6. The EPD is based on production information and data collected by KI in 2020. It was modelled using SimaPro 9.0.0.24 and data from Ecoinvent version 3.5.

### Materials Information

- Polypropylene chairs & Shells:
- Jet Black one piece chairs and Postura+ family Shells: 100% recycled polypropylene
  - All other one piece chairs: 30% recycled polypropylene, 70% virgin polypropylene.
  - All other Postura+ family Shells: 100% virgin polypropylene
  - All one piece stools are made from glass filled polypropylene, with a minimum 30% recycled polypropylene
  - All Postura+ chairs & shells are 100% recyclable

### Frames & bases:

- Powder coated steel frames: 100% recyclable
- Glides: 100% nylon, 100% recyclable
- Task base (nylon & chrome; gas columns, castors & glides):
- Nylon task base: 100% recycled Glass Filled Nylon.
- Nylon and Chrome task base: 100% recyclable (made of mixed materials, may need to be separated for recycling; gas lifts must be depressurised and drained of oil)
- Seat pads: 4mm foam fixed with adhesive onto plywood shell, fabric secured by C-Gex with bias banding.



# Additional Information

## KI (UK) Ltd Rights & Warranties

Polypropylene chairs & seats shells: 20-year warranty.

Metal frames, task bases & gas columns: 5-year warranty.

High wear parts such as fabrics, other covering material/finishes, foam, castors, glides and gas lifts: 1-year warranty.

For detailed information, please visit our website: <https://www.kieurope.com/customer-service/legal-privacy/warranties>

## Certifications & Standards

- **Indoor Advantage Gold™ – Furniture:** All Postura+ products have been independently assessed by SCS Global Services and certifies for low volatile organic compound (VOC) emissions. This certification aligns with ANSI/BIRMA m7.1, X7.1 and CA01350. It contributes to LEED low emitting materials credits and WELL Credit 04 for VOC reduction.
- **BS EN 1729 Part 1:** Sizing & dimensions – Chairs and tables for educational institutions. Postura+ one piece chairs are certified to this standard.
- **BS EN 1729 Part 2:** Strength & stability – Chairs and tables for educational institutions. All Postura+ products are certified to this standard.

- **BS EN 16139:2013 Test Level 2:** Strength & stability – severe contract use. Postura+ One Piece Chairs in size 6 are certified to this standard.
- **BS EN 1729-1:2015:** Sizing & dimensions – Chairs and tables for educational institutions. Postura+ One Piece Chairs and One Piece Stools are certified to or comply with this standard.
- **BS EN 1729-2:2023:** Strength & stability – Chairs and tables for educational institutions. All Postura+ products are certified to this standard.
- **BS 5852:2006 Ignition Source 0 & 1 Standard** stocked Postura+ One Piece Chairs in all sizes (1-6) are certified to this standard.
- **BS 5852:2006 Ignition Source 0, 1 & 5 Special order** Postura+ One Piece Chairs with FR additive and MOQ requirements, in all sizes (1-6) are certified to this standard.

Suitable for projects aiming to achieve SKA, BREEAM, WELL, LEED v4 and more.

## User Weight Loading

Postura+ One Piece Chairs weight limits by size:

Size 1: 130kg

Size 2 & 3: 160kg

Size 4, 5 & 6: 200kg

## Design Resources

For image libraries, certificates, CAD/Revit models and more resources, please visit [kieurope.com/postura](https://www.kieurope.com/postura)

## Care & Maintenance Instructions

Maintaining the appearance and finish of your product is best achieved through proper care and cautious use.

### Polypropylene shells:

For regular cleaning of Shells use a soft cloth with mild soap or detergent and lukewarm

water. Avoid solvents, citrus/orange-based cleaners or heavy-duty kitchen cleaners. Stubborn spots like chewing gum can be removed using cigarette lighter fluid. Wipe dry immediately. To restore lustre to smooth surfaces and perform light cleaning, a general non-abrasive all-purpose cleaner is recommended. Its anti-static properties help repel dust and dirt. High-quality wax can be used to restore lustre and provide protective coating.

### Powder coated & chrome metal frames:

Remove chewing gum and stubborn spots with cigarette lighter fluid, wipe dry immediately. It is advisable to protect frames from water, rain, ice, snow and salt exposure.

For gloss finish: use a silicon-based spray polish for cleaning.

Thin surface scratches can be addressed by wiping with thinners (apply onto a soft cloth, not directly on the surface) or spraying with clear lacquer.

Deep scratches should be sanded with emery paper, cleaned and repainted using appropriate spray gloss/matte paint.

Note: colour matching is crucial. Spray onto white photocopy paper and check the colour before applying.

### Vinyl Fabric:

For cleaning, use normal dishwashing liquid with warm water and a soft cloth. Dry the fabric with a clean, soft cloth.

### Polyester & Wool Fabric:

For wet stains use dry carpet pellets or powder. Apply them to the stain, allow them to dry and then brush off or vacuum.

For dry stains use standard upholstery cleaner foam. Lightly spray the foam over the stain, let it sit for 5 minutes and then brush it off.

## Packaging & Shipping

Wooden pallets: reusable and recyclable

Shrink Wrap: recyclable

Banding: recyclable

Product	Units per box	Units per pallet	Pallet weight*	Pallet dimensions* (mm, L x W x H)
One Piece Chair Size 1	6	120	188.0kg	1000 x 1200 x 2170
One Piece Chair Size 2	6	120	202.0kg	1000 x 1200 x 2170
One Piece Chair Size 3	4	68	178.0kg	1000 x 1200 x 2280
One Piece Chair Size 4	4	68	180.0kg	1000 x 1200 x 2280
One Piece Chair Size 5	3	56	220.5kg	1000 x 1200 x 2190
One Piece Chair Size 6	3	56	232.5kg	1000 x 1200 x 2190
Postura One Piece Stool Low Back – 560mm	1	16	101kg	1000 x 1200 x 1060
Postura One Piece Stool Low Back – 610mm	1	16	104kg	1000 x 1200 x 1110
Postura One Piece Stool Low Back – 685mm	1	16	126kg	1000 x 1200 x 1190
Postura One Piece Stool High Back – 560mm	1	16	113kg	1000 x 1200 x 1340
Postura One Piece Stool High Back – 610mm	1	16	116kg	1000 x 1200 x 1390
Postura One Piece Stool High Back – 685mm	1	16	137kg	1000 x 1200 x 1465
High Chair	1	16	115.0kg	1000 x 1200 x 2000
Stool (Assembled)	1	20	131.0kg	1000 x 1200 x 2000
Low Task Stool	1	16	123kg	1000 x 1200 x 2000
Task Stool	1	8	62kg	1000 x 1200 x 1100
Task Chair	1	16	123kg	1000 x 1200 x 2000
Reverse Cantilever	1	16	108kg	1000 x 1200 x 2000
4 Leg on Castors	1	16	137kg	1000 x 1200 x 2000

\* All Weights and dimensions are approximate.

## Weights

Product	Product Weight	Weight with Seat Pad	Max Weight
Postura+ One Piece Size 1	1.43kg	2.43kg	132kg
Postura+ One Piece Size 2	1.53kg	2.53kg	163kg
Postura+ One Piece Size 3	2.34kg	3.34kg	163kg
Postura+ One Piece Size 4	2.42kg	3.42kg	204kg
Postura+ One Piece Size 5	3.6kg	4.6kg	204kg
Postura+ One Piece Size 6	3.73kg	4.73kg	204kg
Postura One Piece Stool Low Back – 560mm	5.2kg	7.2kg	204kg
Postura One Piece Stool Low Back – 610mm	5.43kg	7.43kg	204kg
Postura One Piece Stool Low Back – 685mm	6.76kg	8.76kg	204kg
Postura One Piece Stool High Back – 560mm	5.95kg	7.95kg	204kg
Postura One Piece Stool High Back – 610mm	6.17kg	8.17kg	204kg
Postura One Piece Stool High Back – 685mm	7.5kg	9.5kg	204kg
Postura+ Reverse Cantilever	4.4kg	5.4kg	204kg
Postura+ 4 leg on castors	4.25kg	5.25kg	204kg
Postura+ Stool 560mm	4.7kg	5.7kg	204kg
Postura+ Stool 610mm	5.1kg	6.1kg	204kg
Postura+ Stool 685mm	5.5kg	6.5kg	204kg
Postura+ High Chair 560mm	5.1kg	6.1kg	204kg
Postura+ High Chair 610mm	5.5kg	6.5kg	204kg
Postura+ High Chair 685mm	5.9kg	6.9kg	204kg
Task Chair with castors & nylon base	6.0kg	7.0kg	204kg
Task Chair with glides & nylon base	6.0kg	7.0kg	204kg
Task Chair with castors & chrome base	7.1kg	8.1kg	204kg
Task Chair with glides & chrome base	7.1kg	8.1kg	204kg
High Task Chair with castors & nylon base	9.4kg	10.4kg	204kg
High Task Chair with glides & nylon base	9.4kg	10.4kg	204kg
High Task Chair with castors & chrome base	10.5kg	11.5kg	204kg
High Task Chair with glides & chrome base	10.5kg	11.5kg	204kg
Low Task stool with castors & nylon base	5.5kg	6.5kg	204kg
Low Task Stool with glides & nylon base	5.5kg	6.5kg	204kg
Low Task Stool with castors & chrome base	6.6kg	7.6kg	204kg
Low Task Stool with glides & chrome base	6.6kg	7.6kg	204kg



KI (UK) Ltd  
New Fetter Place  
8-10 New Fetter Lane  
London,  
EC4A 1AZ

kieurop.com  
020 7404 7441  
info@kieurop.com