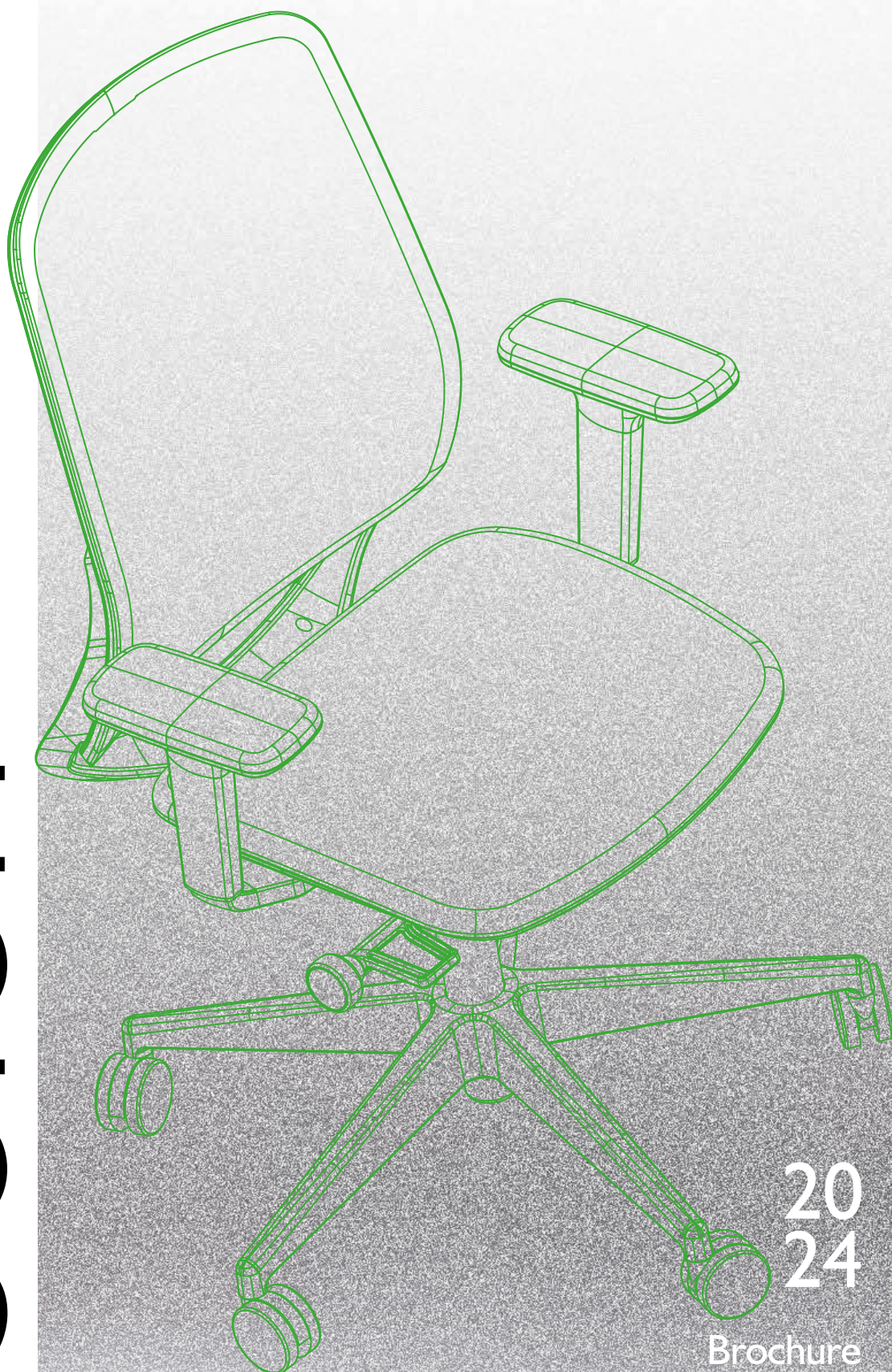


KI

# Solon



20  
24

Brochure



# CONTENTS



Introducing Solon	5
Product Specification	6
Key Features	9
Customisation Options	12
Additional Information	17

# Introducing Solon

Introducing Solon – where innovation, functionality, and comfort converge to transform your workday experience.

Engineered to redefine office ergonomics, Solon seamlessly integrates innovation with practicality, setting new standards in the realm of task seating. Designed to cater to the diverse demands of today's organisations, Solon strikes the perfect harmony between aesthetics and functionality. Its contemporary silhouette effortlessly harmonises with any office ambiance, while its ergonomic prowess ensures unparalleled support throughout the day.

Unlike its counterparts in the market, where adjusting your chair can feel like a cumbersome task of trial and error, especially when others have just adjusted it to meet their ergonomic needs, we aim to simplify the process with Solon. We've designed a chair that prioritises intuitive comfort, enabling users to sit with ease and minimal adjustment, so they can quickly set themselves up correctly without having to fiddle with any buttons or levers.

Our synchronised mechanism aids in helping us achieve this. It allows for a seamless experience: when leaning backward, the front of the seat pad rises slightly, promoting comfort and proper posture without requiring manual adjustments. Our weight balancing mechanism further enhances user experience. Solon responds to the user's weight, dynamically adjusting pressure on the backrest, it provides optimal support tailored to individual needs. We recognise that it's not a one size fits all, which is why we've also incorporated an easily accessible fine-tuning mechanism located conveniently on the side of the chair for any extra adjustments you may need.

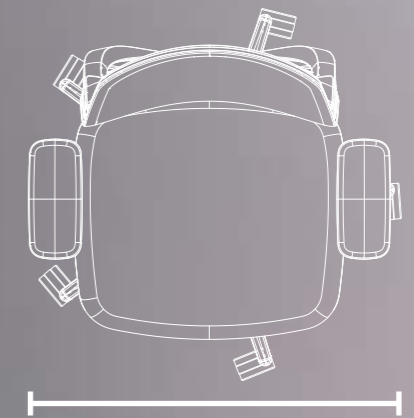
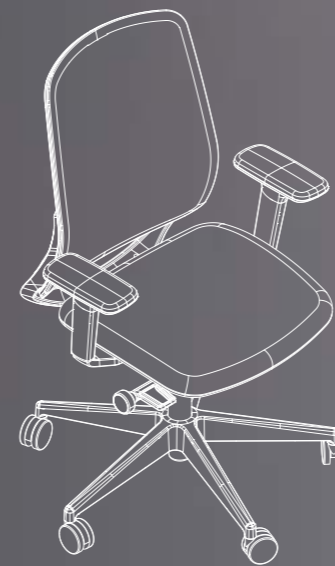
It's a game-changer in ergonomic design, allowing you to maintain focus and productivity without disruptions. From enhanced seat functionality to adjustable lumbar support and flexible arm detailing, every aspect of Solon is meticulously crafted to enhance your comfort and performance.



# Product Specification

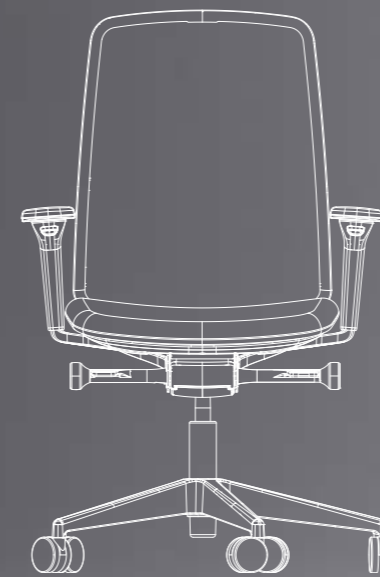


Chair Weight - 15kg



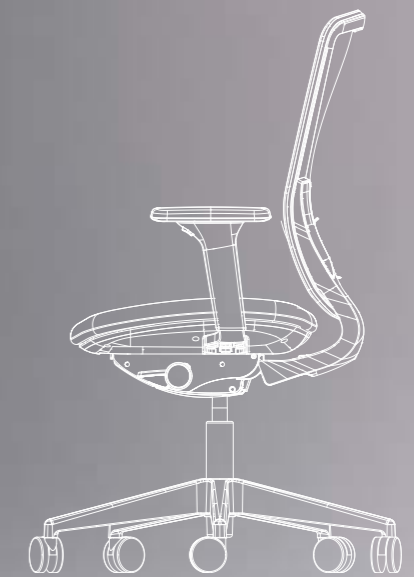
Overall Depth  
680mm

Overall Width  
700mm



Overall Height  
975 - 1110mm

Seat Width  
465mm



Seat Height  
450 - 585mm

Seat Depth  
475 - 550mm

# Key

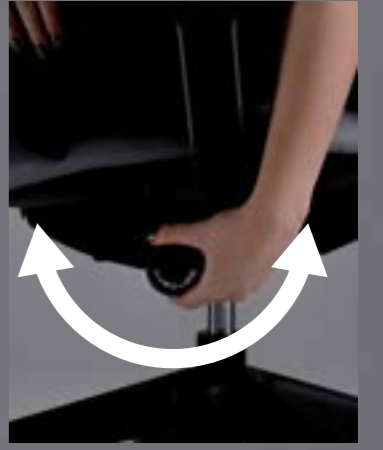
# Features

Solon is a task chair designed to elevate your workspace experience. With an emphasis on comfort, customisation and durability, Solon offers a seamless blend of ergonomic design and sleek aesthetics. Its innovative features ensure optimal support and functionality, empowering you to work with ease and focus throughout the day.

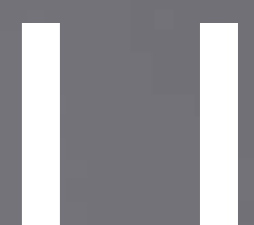
- Available in up to 10 stylish standard fabric finishes.
- 4D adjustable arms with soft touch arm pad.
- Adaptable lumbar support.
- Tested to EN1335-2 2018 safety, strength and durability standards.
- Black or white polypropylene - trim colour (back and seat).
- Nylon base as standard with optional polished aluminium.
- Adjustable seat height and depth with integrated back lock.
- Synchronised mechanism.
- Weight balancing mechanism.
- Fine tuning for individual needs.







10



# Customisation Options

Emphasising comfort, customisation, and durability, Solon presents a variety of customisation options tailored to complement any office interior. Select from up to 10 standard fabric finishes and 2 frame colours, along with the choice of a standard Nylon base or optional polished aluminium. For the latest fabric options, including additional fabric brands, please consult your KI Account Manager for assistance.



12

13

## Seat Pad



TTPLA /  
Fabric\_Polyester\_Fireretardant

Black



code. 217001900N

Blue



code. 217001900I

Dark Blue



code. 217001900I2

Light Blue



code. 217001900I3

Grey



code. 217001900G

Light Grey



code. 217001900GI

Red



code. 217001900R

Bordeaux



code. 217001900RI

Beige



code. 217001900P

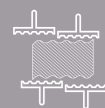
Green



code. 217001900V



Weight  
440 g/m

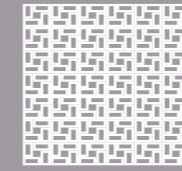


Martindale  
100,000 cycles



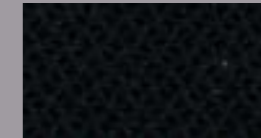
Fire resistance  
UNI 9175:2010 class I-IM  
BS 5852:2006 Point II Crib 5

## Upholstered Mesh Back



TTDMHE /  
Net\_Polyester\_Fireretardant

Black



code. 217306500N

Blue



code. 217306500I2

Grey



code. 217306500G

Dark Grey



code. 217306500Q

Beige



code. 217306500P

Light Blue



code. 217306500I

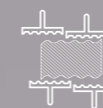
Apple Green



code. 217306500V



Weight  
360 gr/ml



Martindale  
60,000 cycles



Fire resistance  
UNI 9175:2010 class I-IM  
BS 5852:2006 Point II Crib 5



## KI (UK) Ltd Rights & Warranties

KI offers a 5-year warranty on our Solon range.

This applies only if products have been used in standard office environments. Wear and tear are to be expected over the course of ownership and these are not covered by the warranty.

For detailed information, please visit our website: [www.kieurope.com/customer-service/legal-privacy/warranties](http://www.kieurope.com/customer-service/legal-privacy/warranties)

## Environmental Information

### Materials:

Base  
Nylon or Polished Aluminium.

### Castors

Thermoplastic Polyurethane.

### Armrests

Virgin Polyamide Glass Fibre,  
Polyoxymethylene and Polyurethane.

### Backrest & Lumbar Support

Polyamide Glass Fibre and Polypropylene.  
70% Recycled & 100% Recyclable.

### Seat

Under - 100% Recycled Polypropylene.  
Inner - 50% Recycled & 50% Virgin FSC  
certified Wood.

## Indoor Advantage Gold™ - Furniture

This product has been independently assessed by SCS Global Services to be certified for low volatile organic compound (VOC) emissions. The Indoor Advantage Gold standard aligns with both ANSI/BIFMA M7.1 and X7.1, and CA01350.

### BS EN 1335 - 2 2018

Safety, strength and durability requirements for office work chairs.

### BS EN 1728

Test methods for the determination of strength and durability.

### BS EN 1022 - Stability Test

Test methods and requirements for the determination of the stability of all types of seating for adults weighing up to 110kg.

### BS EN 1335 - 1 2020

Indication of the ergonomics of the chair.

Suitable for projects aiming to achieve **SKA**, **BREEAM**, **WELL**, **LEED v4** and more.

## Design Resources

For image libraries, certificates, CAD/Revit models and more resources, please visit [kieurope.com/solon](http://kieurope.com/solon)

# Additional Information







KI (UK) Ltd  
New Fetter Place  
8-10 New Fetter Lane  
London,  
EC4A 1AZ

kieurop.com  
020 7404 7441  
info@kieurop.com